



model MTGFR.7

Mounting Frame

FEATURES & BENEFITS

CONSTRUCTION

Constructed of heavy gauge galvanized steel, this frame provides the needed support for Haws single bubbler drinking fountains along with added corrosion resistance for long life.

MOUNTING

Normally mounted in advance, this frame allows for precise mounting and superior finish when aesthetics is a must.

OPTIONS

To see all options for this model, visit www.hawSCO.com



SPECIFICATIONS

Model MTGFR.7 mounting frame is made of heavy gauge galvanized steel with pre-punched mounting holes for use with Haws H1107.8.

APPLICATIONS

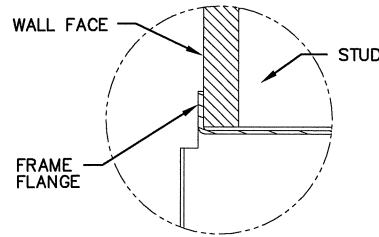
Haws produces mounting plates and frames to assist in the installation process as well as to provide a solid base for the wall mounted designed fountains. Mounting plates and frames meet the requirements solely for the specified applicable fountains and are not designed to be used in the installation of any unspecified fountain.



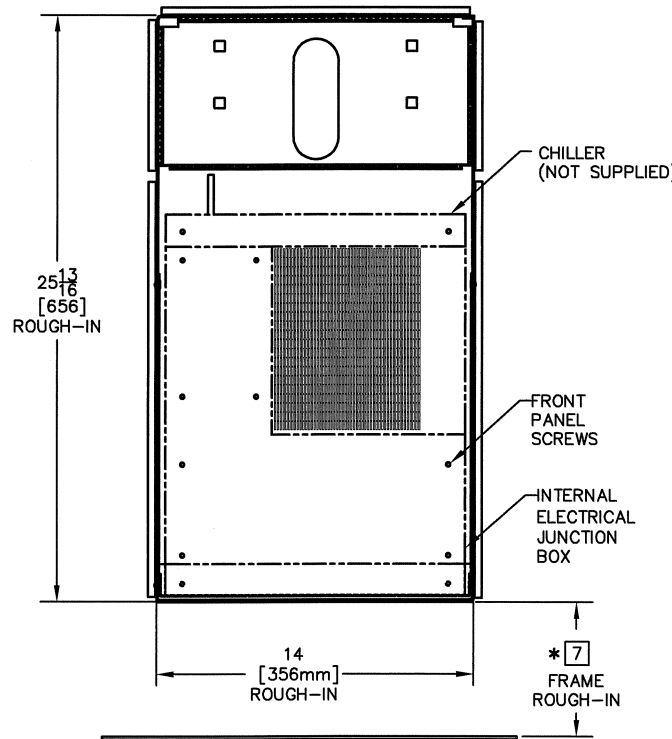
MOUNTING FRAME INSTALLATION:

1. HOLD ROUGH-IN DIMENSIONS $\pm 1/8"$ (3.2mm)
2. WHEN INSTALLING THIS UNIT, LOCAL, STATE OR FEDERAL CODES SHOULD BE ADHERED TO. FOR DIFFERENT INSTALLATION HEIGHTS OTHER THAN SHOWN, DIMENSIONS MARKED (*) MUST BE ADJUSTED ACCORDINGLY.
3. ALIGN HOLES IN CHILLER SUPPORT TRAY WITH HOLES IN FRAME AND FASTEN IN PLACE WITH #10 SHEET-METAL SCREWS SUPPLIED WITH UNIT.
4. REFER TO MODEL H1107.8 INSTALLATION DRAWING FOR COMPLETED FOUNTAIN AND PLUMBING ROUGH-IN DIMENSIONS.
5. INSERT 5/16"-18 PANEL NUT RETAINERS (SUPPLIED WITH FOUNTAIN) FROM OPPOSITE SIDE OF OPENINGS.
6. FOUNTAIN REMOVAL: FIRST REMOVE SCREWS AND THEN SQUEEZE CLIPS ON NUT RETAINER (SUPPLIED WITH FOUNTAIN) TO POP OUT. INSTALL IS REVERSE OF REMOVAL.
7. ROUGH-IN DIMENSIONS FOR FOUNTAIN HEIGHTS:
 CHILD WHEELCHAIR HEIGHT:
 FRAME ROUGH-IN HEIGHT: 3-1/8" (79mm)
 ELECTRICAL ACCESS: 6-5/8" (168mm)
 ADULT WHEELCHAIR HEIGHT:
 FRAME ROUGH-IN HEIGHT: 6-1/8" (156mm)
 ELECTRICAL ACCESS: 9-5/8" (245mm)
 ADULT STANDING HEIGHT:
 FRAME ROUGH-IN HEIGHT: 11-5/8" (295mm)
 ELECTRICAL ACCESS: 15-1/8" (384mm)

IMPORTANT: MOUNTING FRAME MUST BE INSTALLED SO THAT LIP OF FRAME BUTTS AGAINST FINISHED WALL FACE.

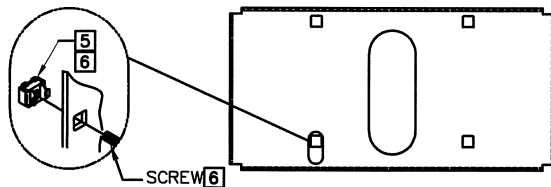
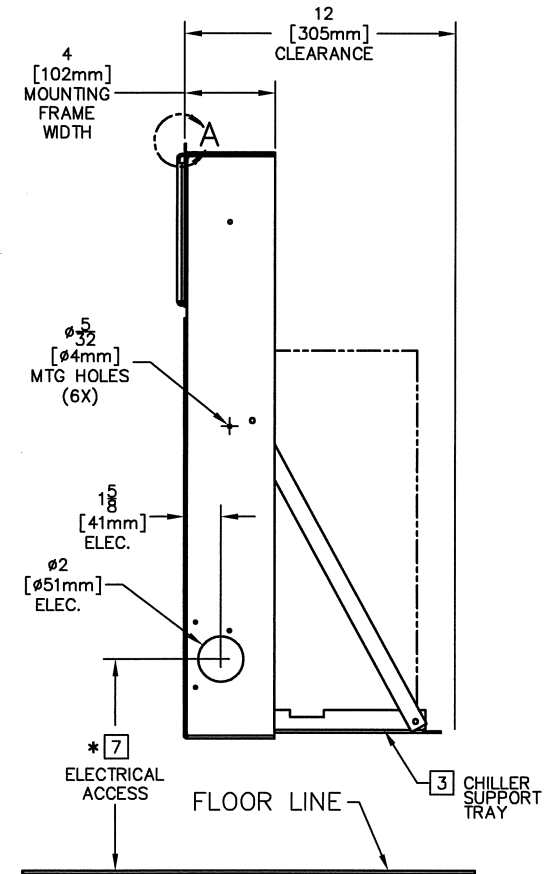


DETAIL A



CHILLER ELECTRICAL INSTALLATION:

2. ENSURE ELECTRICAL POWER IS OFF AND POWER MATCHES VOLTAGE, PHASE AND CYCLE LISTED ON CHILLER LABEL
3. REMOVE FRONT PANEL TO GAIN ACCESS TO INTERNAL JUNCTION BOX. HARDWIRE CHILLER THROUGH ITS SIDE. WIRE IN ACCORDANCE WITH LOCAL, STATE OR FEDERAL ELECTRICAL CODES.
4. REPLACE FRONT PANEL. **DO NOT** APPLY POWER UNTIL UNIT WATER SUPPLY IS CONNECTED **AND ON**.



BOWL MOUNTING DETAIL

		1455 KLEPPE LANE SPARKS, NEVADA 89431 (775) 359-4712 FAX (775) 359-7424 E-MAIL: HAWS@HAWS.CO.COM WEBSITE: WWW.HAWS.CO.COM	
		ECN NO. 3884 DRAWN: C. FENNER APPROVER:	REVISIONS: 1 DATE: 12/13/08 DATE:
SCALE: 1:1		DRAWING TYPE: INSTALLATION	SIZE: A SHEET 1 OF 1