

D

**SMITH® JAY R. SMITH MFG. CO.®**  
 MEMBER OF MORRIS GROUP INTERNATIONAL™  
 POST OFFICE BOX 3237  
 MONTGOMERY, ALABAMA 36109-0237 (USA)  
 TEL: 334-277-8520 FAX: 334-272-7396 www.jrsmith.com



LOCATION

# FIXED AIR GAPS

**FUNCTION:** When installed between the fixture waste outlet and the plumbing drainage system, SMITH Fixed Air Gaps provide protection of fixtures such as food processing equipment, kitchen fixtures, storage tanks, etc., from contamination due to back flow in the drain line. (Air Gap fittings in plumbing waste lines are installed on the house side of the fixture trap.) SMITH Fixed Air Gaps when installed in the water supply to a fixture or appliance, such as evaporative coolers, sterilizers, etc., will prevent contamination from cross connection between the potable water supply and the fixture that handles a contaminating liquid or one that is connected to a plumbing waste line. Local codes should be checked.

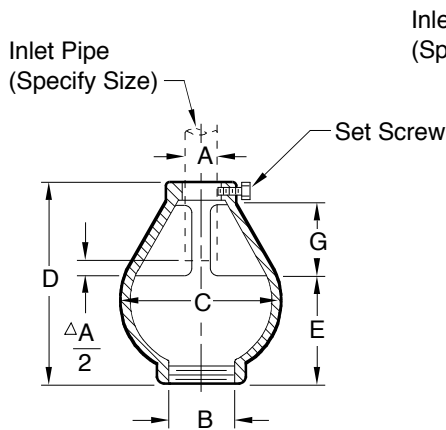


Fig. 3950T  
 THREADED OUTLET ONLY  
 (Specify A + B)

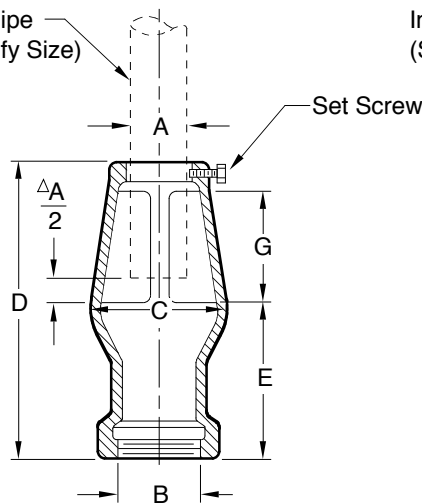


Fig. 3951T  
 THREADED OUTLET ONLY  
 (Specify A + B)

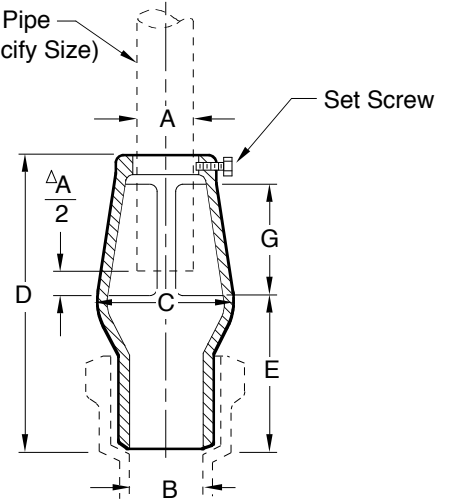


Fig. 3955S  
 NO-HUB OR SPIGOT OUTLET  
 (Specify A + B)

A	B	C	D	E	G
0250(10)	075(19)	3(76)	3(76)	1 3/4(44)	1(25)
050(15)	075(19)	4 1/4(110)	5 1/2(140)	3(76)	2(51)
050(15)	01(25)	4 1/4(110)	5 1/2(140)	3(76)	2(51)
075(20)	0150(38)	4 1/4(110)	5 1/2(140)	3(76)	2(51)
01(25)	0150(38)	4 1/4(110)	5 1/2(140)	3(76)	2(51)

A	B	C	D	E	G
01(25)	02(51)	3 1/2(89)	8(205)	4 1/4(110)	3(76)
0125(35)	02(51)	3 1/2(89)	8(205)	4 1/4(110)	3(76)
0150(38)	02(51)	3 1/2(89)	8(205)	4 1/4(110)	3(76)
02(50)	03(76)	4 1/2(115)	11 1/2(290)	6 1/2(165)	4(100)
03(80)	04(100)	6 1/2(165)	15 1/2(395)	8 (205)	6(150)
04(100)	06(150)	8 1/2(215)	20(510)	10(255)	8(205)

$\frac{\Delta A}{2}$  = 1/2(13) Dia. of Inlet Pipe MIN - The lowest point of the indirect waste pipe to the flood level rim of the receptor shall be a minimum of one inch (1").

**REGULARLY FURNISHED:**  
 Duco Cast Iron

**OPTIONAL MATERIALS:**

- Cast Bronze -CB
- Chrome Plated Bronze -CP
- Chrome Plated Cast Iron -CPCI

**NOTE:** Dimensions shown in parentheses are in millimeters.

DRAWING NUMBER  
 S3950

SIZE  
 A

SCALE:  
 NONE

DATE:  
 9-19-85

APPROVED BY:  
 SJM

CHECKED BY:  
 JD

DRAWN BY:  
 PJ

FIGURE NUMBER  
 3950,3951,3955

WE CAN ASSUME NO RESPONSIBILITY FOR USE OF SUPERSEDED OR VOID DATA

DIMENSIONS ARE SUBJECT TO MANUFACTURERS TOLERANCE AND CHANGE WITHOUT NOTICE

REV.	DATE	DESCRIPTION	BY	CKD. BY	WEIGHT POUNDS	VOLUME CUBIC FEET	FIGURE NUMBER
D	6-23-14	Rev. Callouts, Added Note	TBW	SJM			<b>3950,3951,3955</b>
C	3-24-14	Revised Table	TBW	CL			
B	8-27-96	Added Millimeters	EMB	BS			
A	7-25-94	Submittal Update	EMB	BS			