

H

SMITH® JAY R. SMITH MFG. CO.®
 DIVISION OF SMITH INDUSTRIES, INC.
 POST OFFICE BOX 3237
 MONTGOMERY, ALABAMA 36109-0237 (USA)
 TEL: 334-277-8520 FAX: 334-272-7396 www.jrsmith.com



LOCATION

DRAWING NUMBER
S1310

SIZE
A

SCALE:
NONE

DATE:
5-6-85

APPROVED BY:
TD

CHECKED BY:
TD

DRAWN BY:
PJ

1310, 1320

FIGURE NUMBER

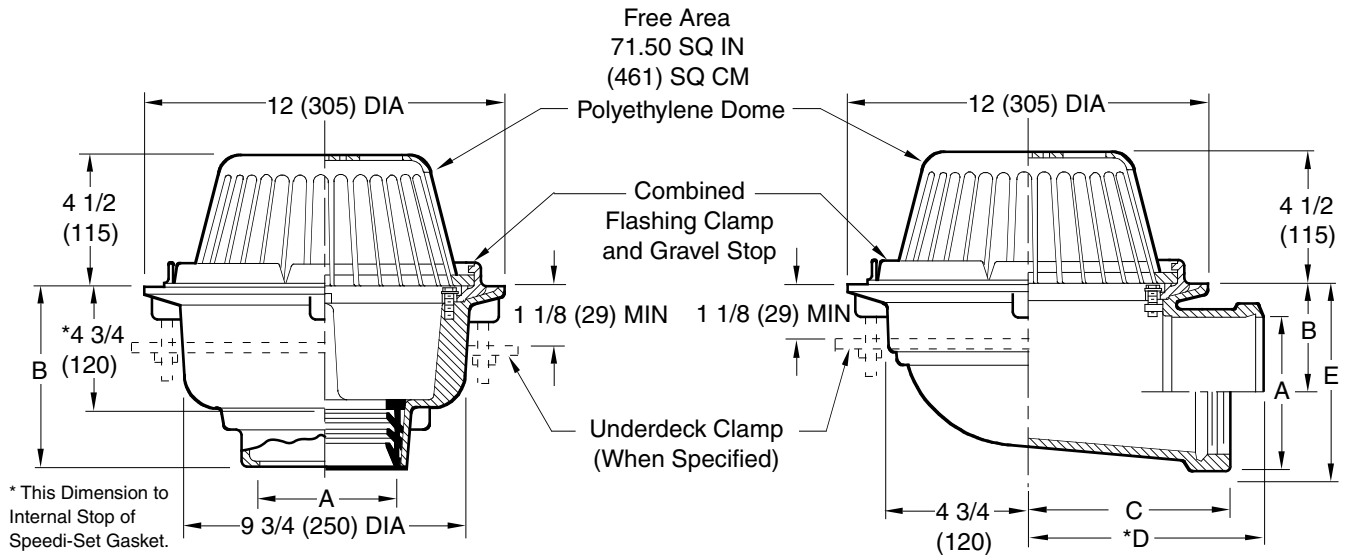
WE CAN ASSUME NO RESPONSIBILITY FOR USE OF SUPERSEDED OR VOID DATA

DIMENSIONS ARE SUBJECT TO MANUFACTURERS TOLERANCE AND CHANGE WITHOUT NOTICE

GENERAL PURPOSE ROOF DRAINS

12" (305) DIAMETER - LOW PROFILE DOME

FUNCTION: Used in flat roofs of any construction where a medium sized drain is required. Flashing clamp holds flashing and roofing material without puncturing. Low profile dome protects sump and intercepts debris.



* This Dimension to Internal Stop of Speedi-Set Gasket.

- Fig. 1310C ... CAULK OUTLET
- Fig. 1310Y ... NO-HUB OUTLET
- Fig. 1310T ... THREADED OUTLET

- Fig. 1320C ... CAULK OUTLET
- Fig. 1320Y ... NO-HUB OUTLET
- Fig. 1320T ... THREADED OUTLET

A SIZE	02 (50)	03 (75)	04 (100)	05 (125)	06 (150)
B	6 (150) for Caulk, NO-HUB and Speedi-Set 4 3/4 (120) for Threaded				

recommended deck opening	
with suffix -R	13 (330) DIA
less Suffix -R	11 (280) DIA

A SIZE	02 (50)	03 (75)	04 (100)
B	4 1/2 (115)	4 (100)	3 1/2 (89)
C	6 (150)	6 (150)	6 (150)
*D	7 1/4 (185)	7 1/2 (190)	7 3/4 (195)
E	6 1/2 (165)	6 5/8 (168)	6 5/8 (168)

*For NO-HUB outlets this dimension is 9(230)

REGULARLY FURNISHED:

Duco Cast Iron Body with Combined Flashing Clamp and Gravel Stop with Polyethylene Dome.

VARIATIONS:

- Expansion Joint (Specify Fig. 1710) (Fig. 1310 only)
- Extension -E (Specify Height)
- "L" Shaped Underdeck Clamp -CL
- L Speedi-Set Service Weight
02(50), 03(75) & 04"(100) sizes only (Fig. 1310 only)
- LXH Speedi-Set Extra Heavy
02(50), 03(75) & 04"(100) sizes only (Fig. 1310 only)
- NO-HUB Adaptor (Specify Fig. 2646Y) (Fig. 1320 only)
- Secondary Flashing Clamp -C2
- 2" (51) Solid Water Dam -WD
- Sump Receiver -R
- Underdeck Clamp -C
- Vandal Proof Dome -U

OPTIONAL MATERIALS:

- Aluminum Dome -AD
- Cast Iron Dome -CID
- Galvanized Cast Iron Body & Collar -G
- Galvanized Cast Iron Dome -CIDG
- Rough Bronze Dome -RBD

NOTE: Dimensions shown in parentheses are in millimeters.

H G T E D	8-10-06 5-26-99 6-13-95 11-3-93 6-2-93	Added Fig. 1320Y Rev. Opt. Mat. Added Millimeters Chg'd Table Submittal Update	TBW CMD EMB EMB	CL BS BS BS	WEIGHT POUNDS	VOLUME CUBIC FEET	FIGURE NUMBER 1310, 1320
REV.	DATE	DESCRIPTION	BY	CKD. BY			