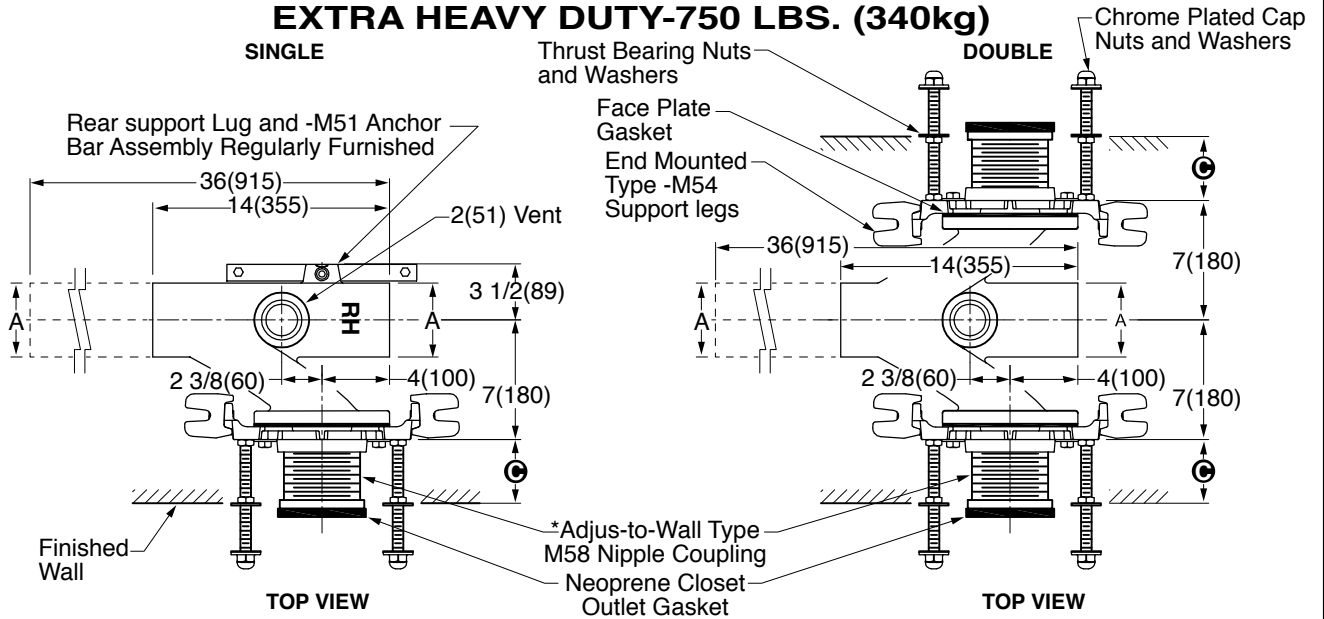


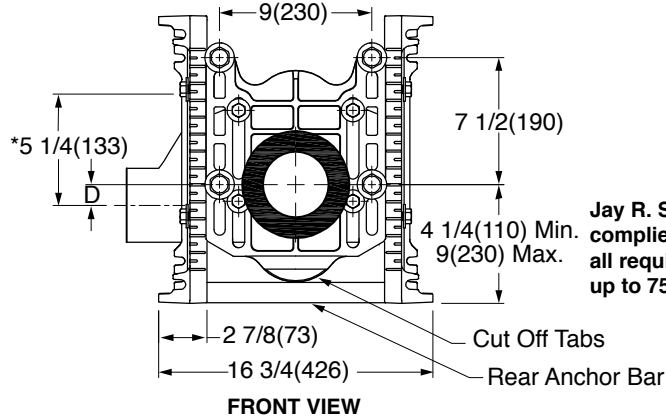
ADJUSTABLE FIXTURE SUPPORTS FOR SIPHON JET WATER CLOSETS

EXTRA HEAVY DUTY-750 LBS. (340kg)



NOTES:

1. Base support must be securely anchored to floor with 1/2"(13) anchors able to withstand a pull-out force of 500 lbs (227 kg). The rear anchor bar must be securely anchored to floor with 1/2"(13) anchors able to withstand a pull-out force of 1000 lbs (454 kg). Pull-out forces are calculated values, no safety factor has been applied.
2. Dimensions shown in parentheses are in millimeters.
3. *Dimension to top of vent.



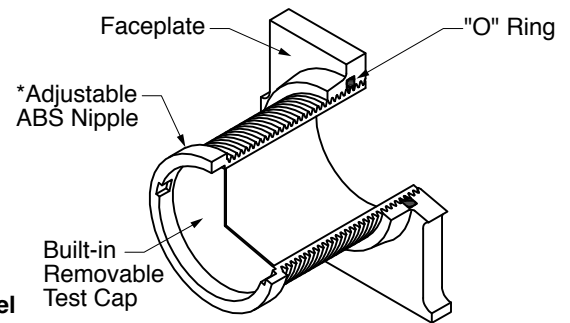
A	D	
SIZE	MIN	MAX
4(100)	5/8(16)	3 3/8(87)

Jay R. Smith 0211Y/0221Y-M58-M54-XX complies with and/or exceeds all requirements of ASME A112.6.1M up to 750 lbs.

*LENGTH	MIN	MAX
10(255)	8 3/4"(222)	9 3/4"(247)

*NOTE: When nipple lengths between 3 1/4"(83) and 9 3/4"(247) are specified, the 10"(255) nipple will be supplied. The threaded end of nipple must be cut to specified length by others.

- Fig. 0211LY -M58-M54-XX NO-HUB Left Hand
- Fig. 0211RY -M58-M54-XX NO-HUB Right Hand
- Fig. 0211DY -M58-M54-XX NO-HUB Double
- Fig. 0221LY -M58-M54-XX NO-HUB Left Hand Long Barrel
- Fig. 0221RY -M58-M54-XX NO-HUB Right Hand Long Barrel
- Fig. 0221DY -M58-M54-XX NO-HUB Double Long Barrel



*ABS (Regularly Furnished)

DRAWING NUMBER: s0211Y, 0221Y -M58-M54-XX
 SIZE: A
 SCALE: NONE
 DATE: 6-21-12
 APPROVED BY: CL
 CHECKED BY: CL
 DRAWN BY: TBW
 DIMENSIONS ARE SUBJECT TO MANUFACTURERS TOLERANCE AND CHANGE WITHOUT NOTICE
 WE CAN ASSUME NO RESPONSIBILITY FOR USE OF SUPERSEDED OR VOID DATA

REV.	DATE	DESCRIPTION	BY	CKD. BY
C	10-29-14	Added 0221Y-M58-M54-XX	TBW	CL
B	3-22-13	Rev. Notes, Dim.	TBW	CL
A	2-26-13	Rev. Fig. No.	TBW	CL

WEIGHT POUNDS	VOLUME CUBIC FEET	FIGURE NUMBER
		0211Y -M58-M54-XX 0221Y -M58-M54-XX