

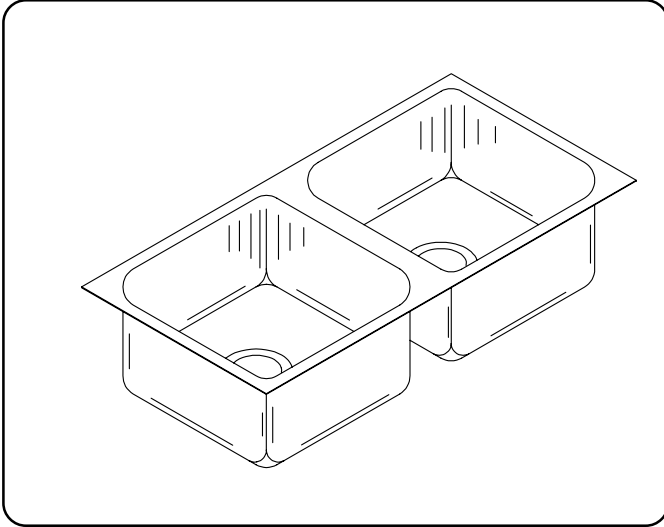


UNDERMOUNT GROUP

SPECIFICATION

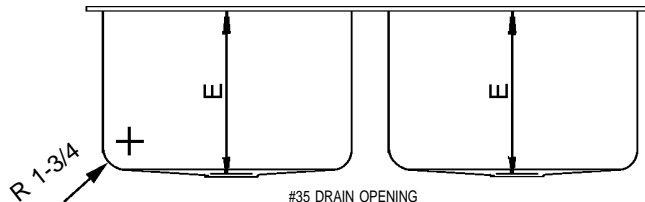
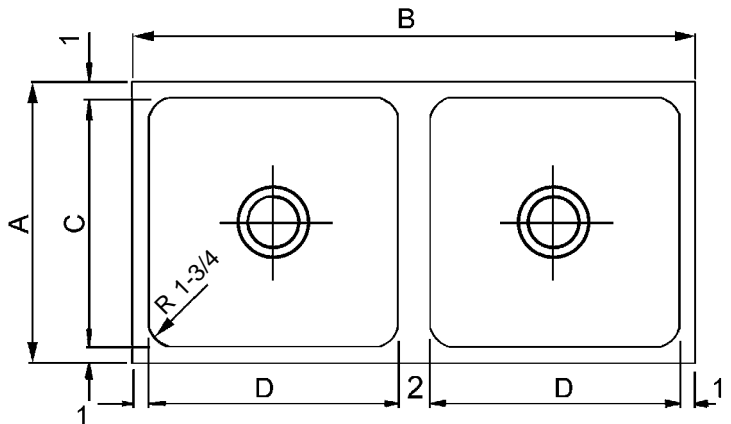
Seamless die-drawn construction of type 304, 18-8 stainless steel. Interior and top surfaces polished to a non-porous Hand-Blended Just Finish with highlighted bowl rim. Fully coated underside insulates for sound, and reduces condensation. Conforms to ASME/ANSI A112.19.3M. Furnished with undermount clips less fasteners. Drain punch #35 for Just J-35 unless otherwise specified.

**UDX / UDXD
SERIES - A - 18 GA.**



SUBMITTAL DATA

MODEL NO.	A	B	C	D	E
UDX-1632-A	16	32	14	14	10-1/2
UDX-1832-A	18	32	16	14	10-1/2
UDX-1842-A	18	42	16	19	10-1/2
UDX-1848-A	18	48	16	22	10-1/2
UDXD-1832-A	18	32	16	14	12
UDXD-1842-A	18	42	16	19	12



Job Name _____

Customer _____

Architect/Engineer _____

APPROVED FOR MANUFACTURING

MODEL NO. _____ QTY. _____

COMPANY _____

TITLE _____ DATE _____

SIGNATURE _____

FUNCTIONAL DESIGN, QUALITY, AND SPECIFICATIONS LISTED DESCRIBE THE JUST STANDARD OF QUALITY. WHEN MAKING COMPARISONS WITH OTHER OFFERINGS, INSIST ON THE JUST QUALITY OF CONSTRUCTION. FOR ADDITIONAL INFORMATION REGARDING THE COMPLETE LINE OF **JUST** SINKS, FAUCETS AND DRAINS, VISIT OUR WEB SITE AT www.justmfg.com

JUST MANUFACTURING COMPANY

9233 KING STREET . FRANKLIN PARK . ILLINOIS . 60131-2111

PH: 847-678-5150 . FAX: 847-678-6817

E-MAIL: custserv@justmfg.com . www.justmfg.com

REVISED-5/2003

05/2004