

TOTO®

MS614114CEF(R)(G)

Carlyle® II One-Piece High-Efficiency Toilet, 1.28GPF

FEATURES

- Tornado Flush™ flushing system, low consumption (1.28GPF/4.8LPF)
- Skirted design
- CeFiONtect™ ceramic glaze - prevents debris and mold from sticking to ceramic surfaces, leading to fewer chemicals and less water in cleaning (not avail on Ebony #51)
- Universal Height
- Decorative one-piece design with high-profile tank
- Elongated front bowl with SoftClose® seat (SS114)
- 12" Unifit rough-in
- Chrome trip lever

MODELS

- MS614114CEFG
With CeFiONtect ceramic glaze, SS114 SoftClose seat included
- MS614114CEFRG
Same as above, with right-hand trip lever
- MS614114CEF
Less CeFiONtect, SS114 SoftClose seat included (#51 only)

COLORS/FINISHES

- #01 Cotton
- #03 Bone
- #11 Colonial White
- #12 Sedona Beige
- #51 Ebony (not available in CeFiONtect)

OPTIONAL ROUGH-IN

- 10" rough-in TSU01W.10R
- 14" rough-in TSU01W.14R

PRODUCT SPECIFICATION

The one-piece high-efficiency Tornado Flush flushing system toilet shall be 1.28GPF/4.8LPF. Toilet shall have optional CeFiONtect ceramic glaze and be at Universal Height. Toilet shall have high-profile tank, elongated front bowl with SoftClose seat and Chrome trip lever. Toilet shall be TOTO Model MS614114CEF ____.



 **Tornado Flush**

 **CeFiONtect**

CODES/STANDARDS

- Meets or exceeds ASME A112.19.2/CSA B45.1
- Certifications: IAPMO(cUPC), EPA Watersense, State of Massachusetts, City of Los Angeles, and others
- Code compliance: UPC, IPC, NSPC, NPC Canada, and others
- Legislative Compliance: California AB715, California Green Building Code, City of Los Angeles Water Efficiency Ordinance
- ADA compliant (when installed with trip lever located on the approach side)



MS614114CEF(R)(G)

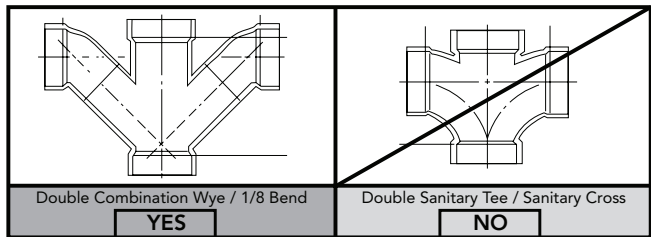
Carlyle® II One-Piece high-Efficiency Toilet, 1.28GPF

SPECIFICATIONS

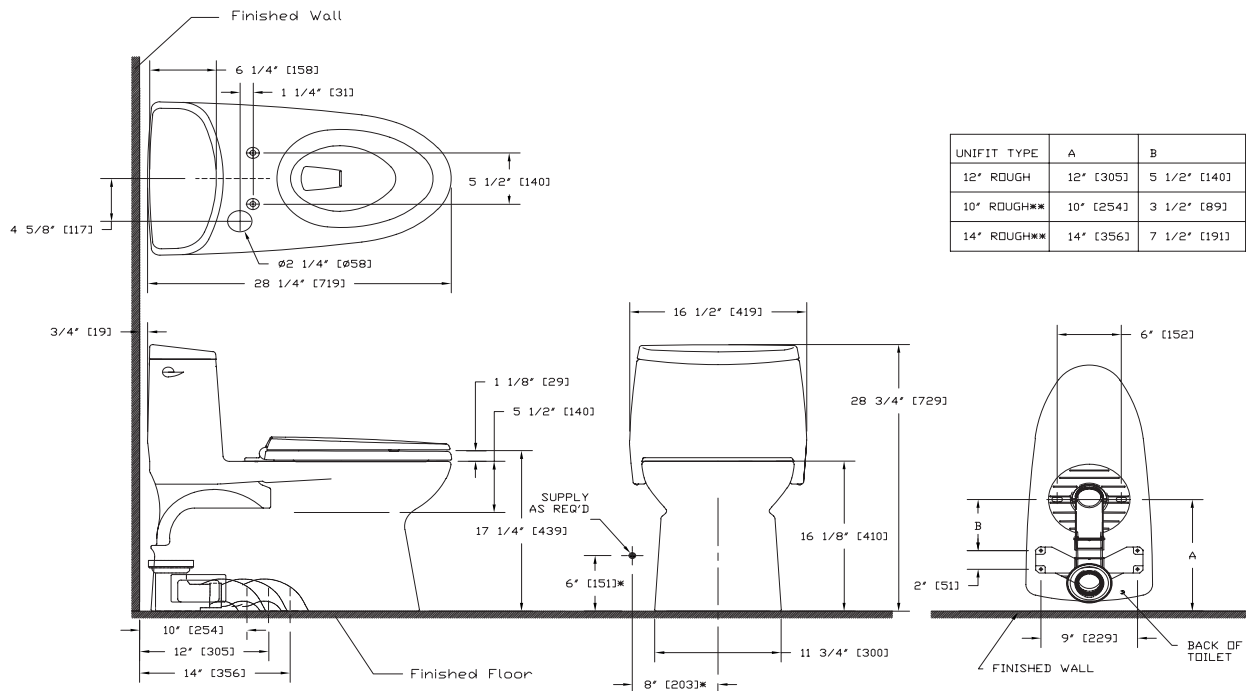
- Water Use 1.28 GPF/4.8LPF
- Flush System Tornado Flush®
- Min. Water Pressure 8 psi (flowing)
- Water Surface 6-7/8" x 9-3/4"
- Trap Diameter 2-1/8"
- Rough-in 12"
- Trap Seal 2-1/8"
- Warranty One Year Limited Warranty
- Material Vitreous china
- Shipping Weight 110 lbs.
- Shipping Dimensions 32" L x 20" W x 17-3/4" H¹ x 28-3/4" H²

INSTALLATION NOTES

Back-to-Back Toilet Installations:
 TOTO recommends the use of a nationally listed, double sanitary tee-wye only, in vertical waste stacks, in accordance with the stipulations noted in the majority of nationally recognized plumbing codes.



To maintain adequate wall gap between the back of the tank and wall, mount the floor flange at a nominal 12" rough-in distance.



*SUGGESTED DIMENSIONS
 **SOLD SEPARATELY



These dimensions and specifications are subject to change without notice