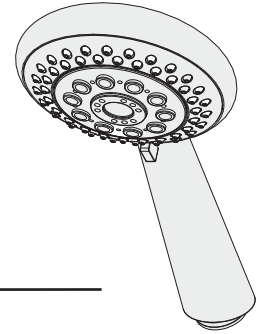




# SYMMONS® Naru™

## Hand Shower Wand 412W

### Specification Submittal



#### Model Numbers

- 412W Hand Shower Wand

#### Finish Options

*Append appropriate -suffix to model number.*

- STN Satin nickel finish
- PNL Polished nickle finish
- Polished chrome finish (standard)

#### Feature Highlights

- Three mode hand shower wand
- Metal construction with polished chrome finish

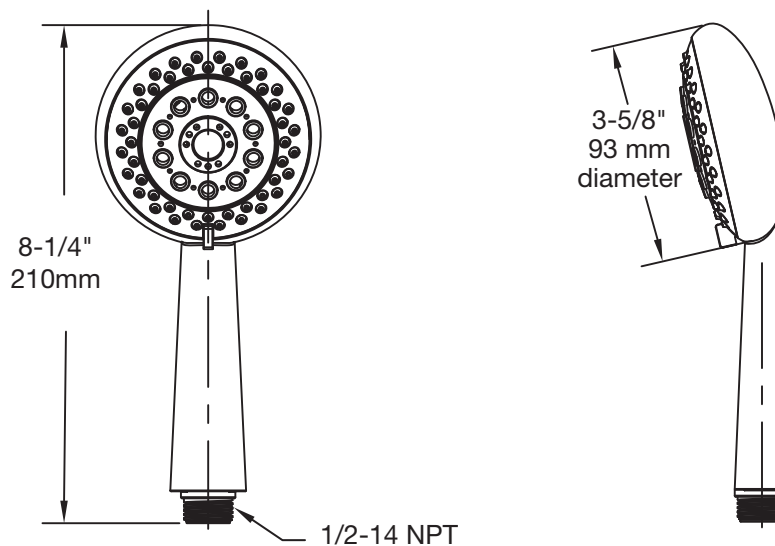
#### Standards / Certifications

ASME A112.18.1-2005/CSA B125.1-05

#### Warranty

- Limited Lifetime - to the original end purchaser in consumer installations.
- 5 years - for commercial installations

#### Dimensions *Naru Hand Shower Wand, 412W*



**Note:** *Dimensions subject to change without notice.*

Symmons Industries, Inc. ■ 31 Brooks Drive ■ Braintree, MA 02184  
(800) 796-6667, (781) 848-2250 ■ Fax (800) 961-9621, (781) 843-3849  
Website: [www.symmons.com](http://www.symmons.com) ■ Email: [customerservice@symmons.com](mailto:customerservice@symmons.com)

©2008 Symmons Industries, Inc. Printed in U.S.A. ■ 120108



**SYMMONS®**  
the smart choice™