

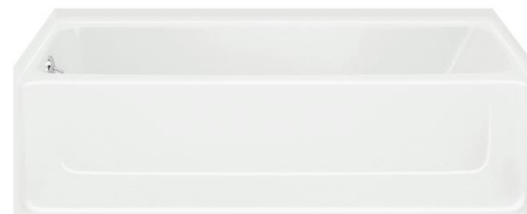


Features

- Durable swirl gloss finish.
- Backrest molded into bath.
- 15" (381 mm) bath depth (floor to top of threshold).
- 60" (1524 mm) x 30" (762 mm) x 15" (381 mm) finished dimensions.

Material

- Compression molded from our exclusive solid Vikrell® material.



Codes/Standards

CSA B45.5/IAPMO Z124

ASTM E162

ASTM E662

Greenguard UL 2818 - Gold



STERLING® Warranty - Fixtures Made of Solid Vikrell Material

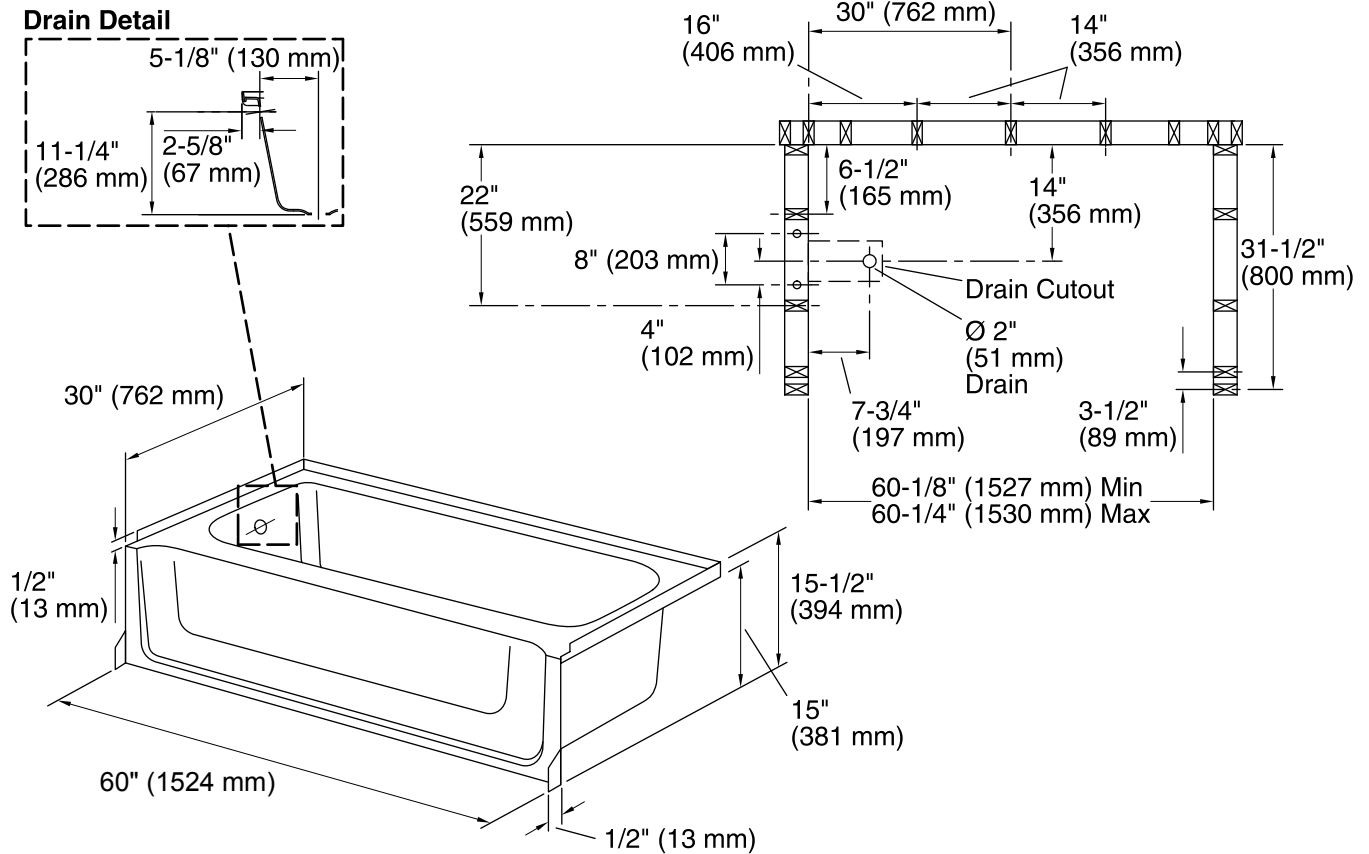
See website for detailed warranty information.

Available Color/Finishes

Color tiles intended for reference only.

Color Code Description

- | | | |
|--|----|---------|
|  | 0 | White |
|  | 96 | Biscuit |



Technical Information

All product dimensions are nominal.

Installation:	Alcove with Flange
Drain location:	Left
Weight:	51.835 lbs (23.5 kg)
Water depth:	9-3/8" (238 mm)
Water capacity:	44 gal (166.6 L)
Door height required:	57" (1448 mm)
Door width required:	57-1/2" (1461 mm)

Notes

Measure your actual product for roughing-in details.

Install this product according to the installation guide.

Studs should be positioned roughly as shown.

Double studding is recommended for pivot shower door installations.