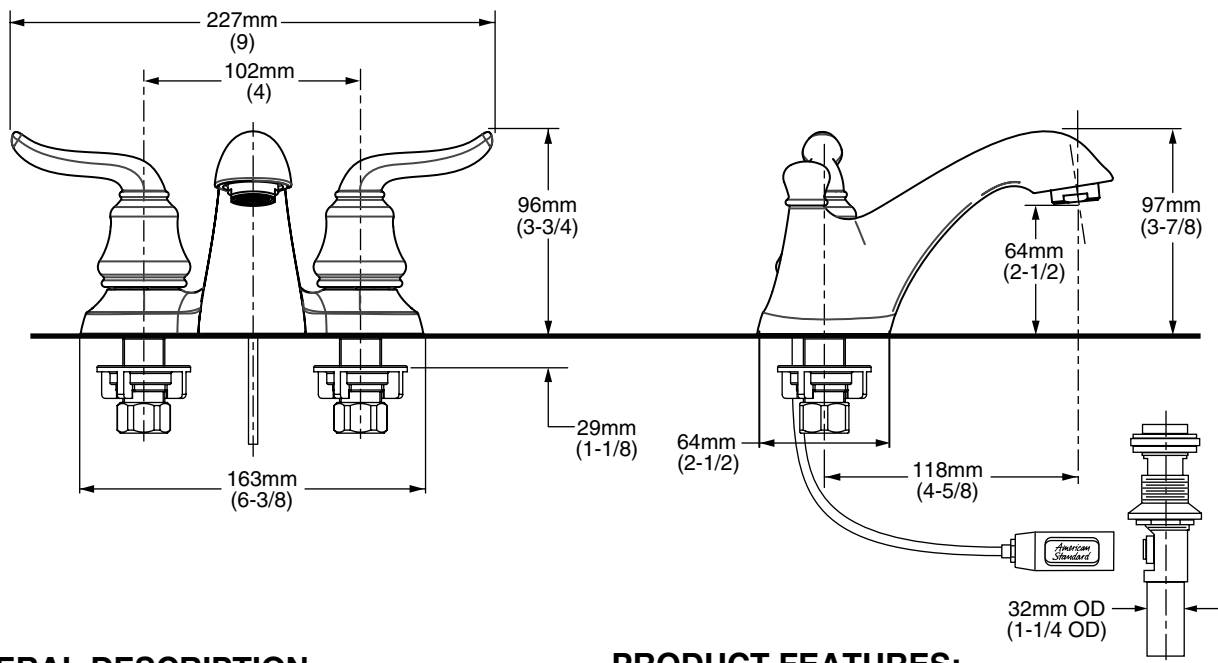


**MODEL NUMBER:**

- **4508.201 Princeton 2 Handle Centerset**  
Metal Speed Connect® Pop-up drain.  
Metal Lever handles.



**GENERAL DESCRIPTION:**

Centerset lavatory faucet on 4" centers. 1/4 turn washerless ceramic disc valve cartridges. Durable cast brass waterways with one-half inch male inlet shanks. Metal body. Color matched underbody. Metal lever handles. 20 inch (500mm) long flexible stainless steel drain cable is pre-assembled to faucet body. Metal Speed Connect® drain body with 1-1/4 inch (32mm) tail piece. 1.5 gpm/5.7L/min. maximum flow rate.

**PRODUCT FEATURES:**

- Ceramic Disc Valve Cartridges:** Assures a lifetime of drip-free performance.
- Cast Brass Waterways with "City Shanks":** Strong and durable. Integral tabs on casting provide a wobble-free installation.
- Low Lead:** Meets NSF Standard 61/Section 9 & Prop 65 lead requirements.
- Exclusive Speed Connect Metal Drain:**
  - Fewer Parts - installs in less time.
  - No adjustments required - seals the first time, every time.
  - Flexible stainless steel cable - installs effortlessly in tight spaces.
- Longer Spout:** Provides extended reach into lavatory.
- Choice of Finishes:** Available in Polished Chrome, Blackened Bronze (PVD) or Satin Nickel (PVD).

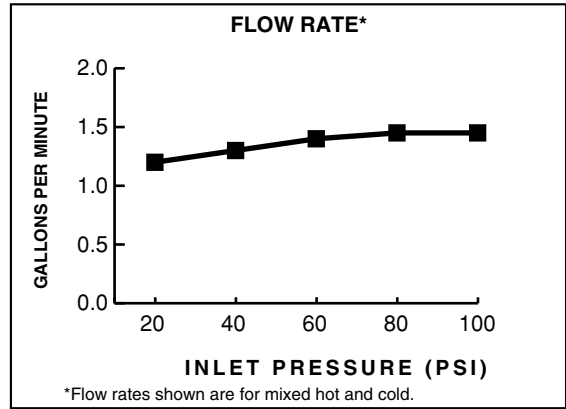
**SUGGESTED SPECIFICATION:**

Two-handle 4" centerpiece lavatory faucet shall feature a cast brass waterway. Shall also feature 1/4 turn washerless ceramic disc valve cartridges. Shall also feature a metal drain body with stainless steel cable actuation. Fitting shall be American Standard Model # 4508.201.\_\_\_\_\_.


**CODES AND STANDARDS**

These products meet or exceed the following codes and standards:

- ANSI A117.1**
- ASME A112.18.1**
- CSA B 125**
- NSF 61/Section 9**



Product Number	Description	Finish Options		
		Polished Chrome	PVD Blackened Bronze	PVD Satin Nickel
4508.201	Princeton 2 Handle Centerset with Metal Speed Connect® pop-up drain. Metal Lever handles.	002	068	295

 Meets the American Disabilities Act Guidelines and **ANSI A117.1** Requirements for the physically challenged.