

► **Code Number**

3335001

► **Description**

1.5 gpm, Single Hole Install, Polished Chrome Single Supply Faucet (For pre-mixed water only) Less Transformer

► **Specifications**

- Sensor Activated, Electronic, Chrome Plated Die-Cast Metal, Hand Washing Faucet with the following features:
- Modular One-piece Construction with all Concealed Components above deck
- Double Infrared Sensors with Automatic Setup and Indicator Light
- Automatic Self-adapting Sensor Technology
- Low Battery Indicator
- Magnetic Solenoid Valve
- Water Supply Connection with Flexible High-pressure Hose and Strainer
- 6 Volt Lithium 2CR5 Commercial Battery included
- Appropriate Mounting Hardware included
- Optional 24 Hour Sentinel Activation

► **Variations**

ISM Integral Spout Mixer

► **Accessories**

See Accessories Section of the Sloan Catalog for details on these and other Shower Head variations.

► **Sensor Range**

Nominal: 4" - 5" (102 mm - 127 mm)

Faucet Adaptive Self-adjustment Range: 2"-14" (51 mm -356 mm) nominal

► **Time Out Setting**

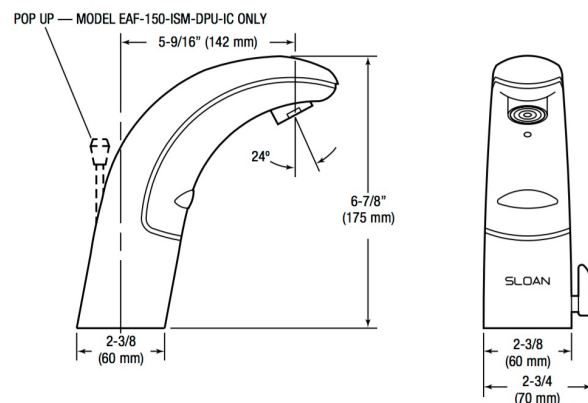
2 minutes— Maximum time faucet will run upon continuous detection (except for i.q.-Click models that are otherwise set in continuous run).

► **Control Circuit**

6 VDC — Includes Auto Set Range Adjustment and Low Battery Indicator LED

► **Power Supply**

6 VDC Lithium 2CR5 battery. Approximate 3 year life



► **The new Optima i.q. faucet — Bringing intelligence to water**

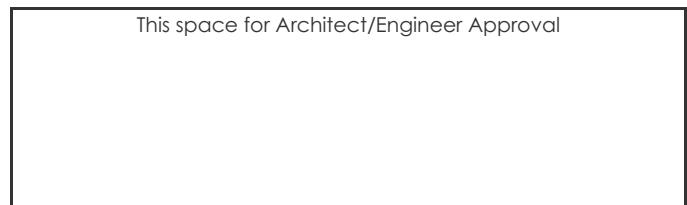
ISM models feature an integral temperature control lever which allows the user to adjust the water temperature. This adjustment can also be converted to a fixed setting. EAF faucets ordered without the ISM variation must be connected to a single, pre-tempered water supply.

Sloan's Optima i.q. EAF-150 Series electronic hand washing faucets operate by means of a dual infrared sensor and microprocessor based logic that utilize self-adapting technology to ensure superior performance. The modular design incorporates all of the operating components of the faucet, including the sensor, solenoid, circuitry and battery above the sink within a die-cast metal spout.

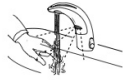
Optima i.q. EAF-150 series faucets include a 6 VDC lithium battery. Battery life is approximately three (3) years.

► **Compliance & Certifications**

ASME A112.18.1-2005/CSA B125.1-05, ISO/IEC 17025



► OPERATION

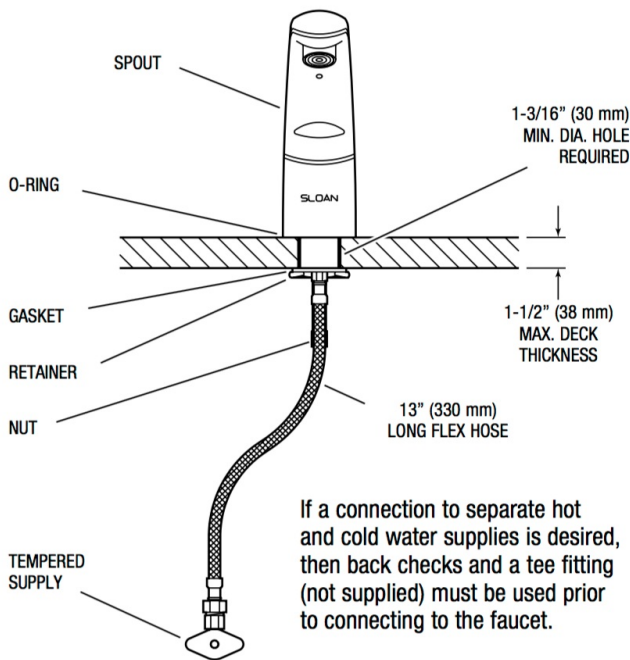


As the user's hands enter the beam's effective range, the beam is reflected back into the sensor receiver and activates the solenoid valve allowing water to flow from the faucet. Water will flow until the hands are removed or until the faucet reaches its automatic time out limit setting.

► ROUGH-IN

If a connection to separate hot and cold water supplies is desired, then a Bak-Chek® tee fitting (not supplied) must be used prior to connecting to the faucet.

**EAF-150 AND EAF-150-IC
Faucets with Single Line Water Supply**



**EAF-150-ISM, EAF-150-ISM-IC AND
EAF-150-ISM-DPU-IC
Faucets with Hot and Cold Water Supply**

