

► **Code Number**

3782655

► **Description**

Exposed Urinal Flushometer for 3/4" top spud urinals.

► **Flush Cycle**

- Model 186-0.5 (0.5 gpf/1.9 Lpf)

► **Specifications**

Quiet, Exposed, Diaphragm Type, Chrome Plated High Efficiency Urinal Flushometer with the following features:

- High Chloramine Resistant PERMEX™ Synthetic Rubber Diaphragm with Linear Filtered Bypass and Vortex Cleansing Action™
- Metal Oscillating Non-Hold open Handle with Triple Seal Handle Packing
- 3/4" I.P.S. Screwdriver Bak-Chek® Angle Stop with Vandal Resistant Stop Cap
- Trap Primer
- Vacuum Breaker with Flush Connection
- Spud Coupling and Spud Flange for 3/4" Top Spud
- Sweat Solder Adapter with Cover Tube and Cast Wall Flange
- Non-Hold-Open Handle and No External Volume Adjustment to Ensure Water Conservation
- High Efficiency flush accuracy
- Diaphragm, Handle Packing and Vacuum Breaker Molded from PERMEX® Rubber Compound for Chloramine Resistance

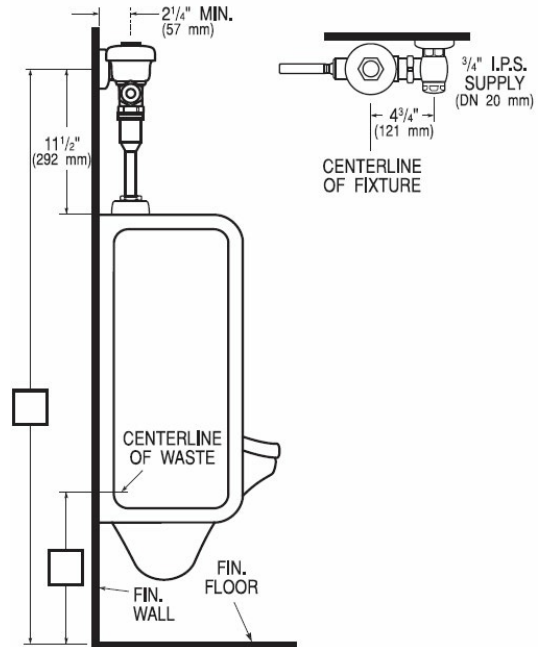
Valve Body, Cover and Tailpiece shall be in conformance with ASTM Alloy Classification for Semi-Red Brass. Valve shall be in compliance to the applicable sections of ASSE 1037.

► **Accessories**

See Accessories Section of the Sloan catalog for details on these and other Flushometer variations.

► **Fixtures**

Consult factory to match Sloan fixture options.



► **Disclaimer**

All information contained within this document subject to change without notice.

► **Compliance**



Made In The  
**USA**



This space for Architect/Engineer Approval