

► **Code Number**

3912633

► **Description**

Exposed Urinal Flushometer, for 3/4" top spud urinals.

► **Flush Cycle**

Model 186-0.125 High-Efficiency (0.125 gpf/0.5 Lpf)

► **Specifications**

Quiet, Exposed, Diaphragm Type, Chrome Plated Urinal Flushometer with the following features:

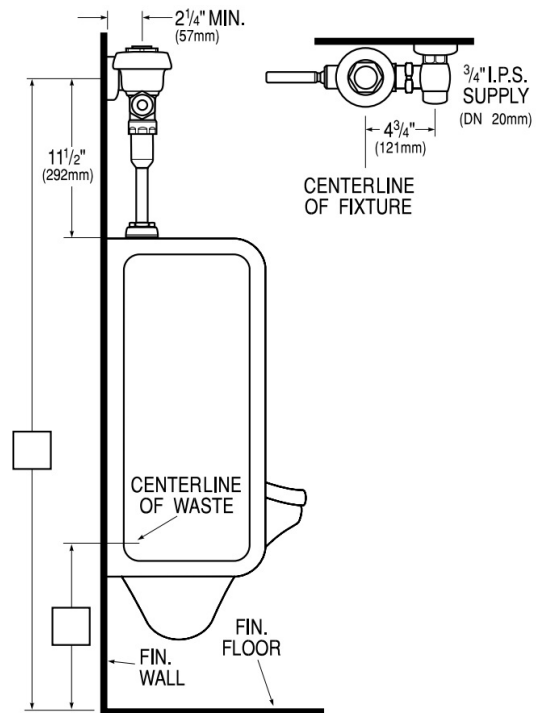
- High Chloramine Resistant PERMEX® Synthetic Rubber Diaphragm with Dual Filtered Bypass
- Metal Oscillating Non-Hold open Handle with Triple Seal Handle Packing
- 3/4" I.P.S. Screwdriver Bak-Chek® Angle Stop
- Spud Coupling, Wall and Spud Flanges
- Spud Coupling and Flange for 3/4" Top Spud
- Sweat Solder Adapter with Cover Tube & Cast Wall Flange with Set Screw
- Non-Hold-Open Handle, Fixed Metering Bypass and No External Volume Adjustment to Ensure Water Conservation
- Flush Accuracy Controlled by CID Technology
- Handle Packing and Vacuum Breaker to be molded from PERMEX® Rubber Compound for Chloramine Resistance

► **Accessories**

See Accessories Section of the Sloan catalog for details on these and other Flushometer variations.

► **Fixtures**

Consult factory to match Sloan fixture options.



► **Compliance**



Made In The
USA



HEU
HIGH-EFFICIENCY URINAL

This space for Architect/Engineer Approval