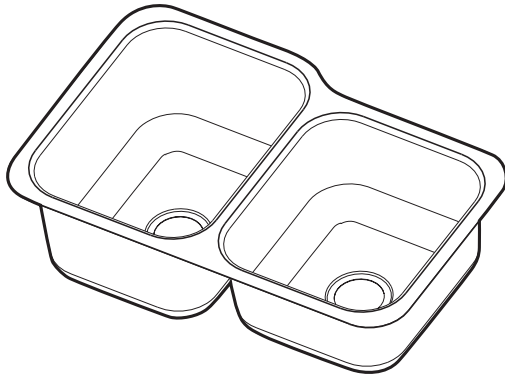




Buy it for looks. Buy it for life.®

# Specifications



| Model Number | Depth-Inches (left bowl, right bowl) | Drain Placement | Model Specified |
|--------------|--------------------------------------|-----------------|-----------------|
| G18231       | 10, 8                                | Center          |                 |
| G18232       | 8                                    | Center          |                 |

## SINK DESCRIPTION

- 1800 Series double bowl undermount sink
- 18 gauge stainless steel, Brushed finish
- Center drain location
- Mounting brackets included, other standard mounting hardware and silicone sealant not included
- SoundSHIELD sound absorbing system

## CUT OUT DIMENSIONS

- Template included - template number 22509

## STANDARDS

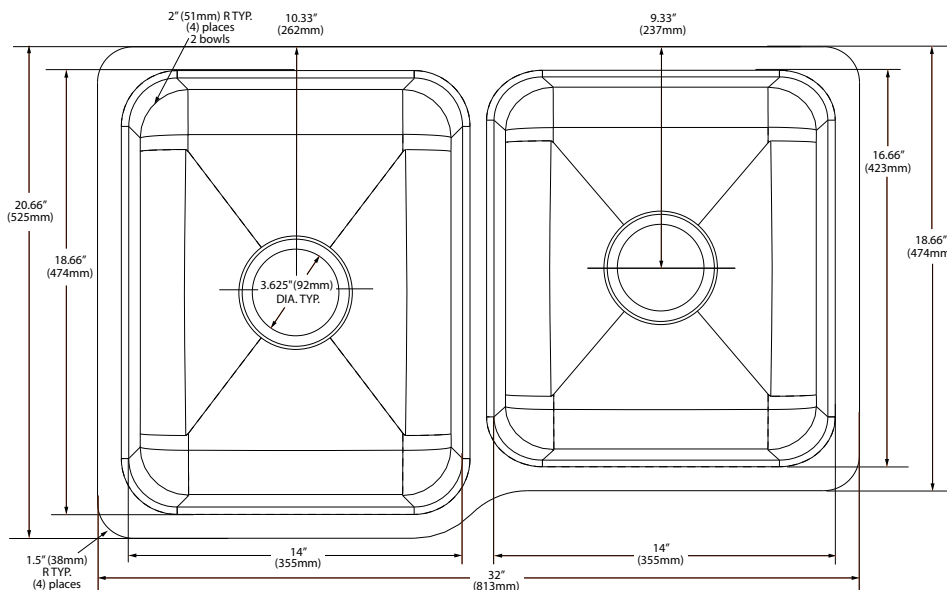
- Third party certified by IAPMO to meet ASME A112.19.3 and all applicable specifications referenced therein

## WARRANTY

- Limited lifetime warranty against material or manufacturing defects to the original consumer purchaser

## CRITICAL DIMENSIONS

(DO NOT SCALE)



MADE IN THE USA

## Installation Detail

