



Buy it for looks. Buy it for life.®

Specifications

FAUCET DESCRIPTION

- Metal construction with various finishes identified by suffix
- High arc spout provides the height and reach to fill or clean large pots
- Flexible supply lines with 3/8" compression fittings
- 360° rotating spout provides ability to install handle on either side
- Faucet designed for handle to be mounted on right side

OPERATION

- Single handle lever
- Temperature controlled by 100° arc of handle travel


FLOW

- Spout flow is limited to 1.5 gpm (5.7 L/min) max at 60 psi

CARTRIDGE

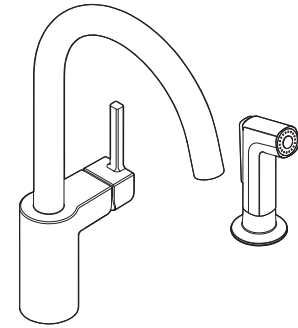
- 1255™ Duralast™ cartridge for Single-Handle Faucets

STANDARDS

- Third party certified to ASME A112.18.1/CSA B125.1 and all applicable requirements referenced therein including NSF 61/9G
- Complies with California Proposition 65 and with the Federal Safe Drinking Water Act
- **ADA**  for lever handle

WARRANTY

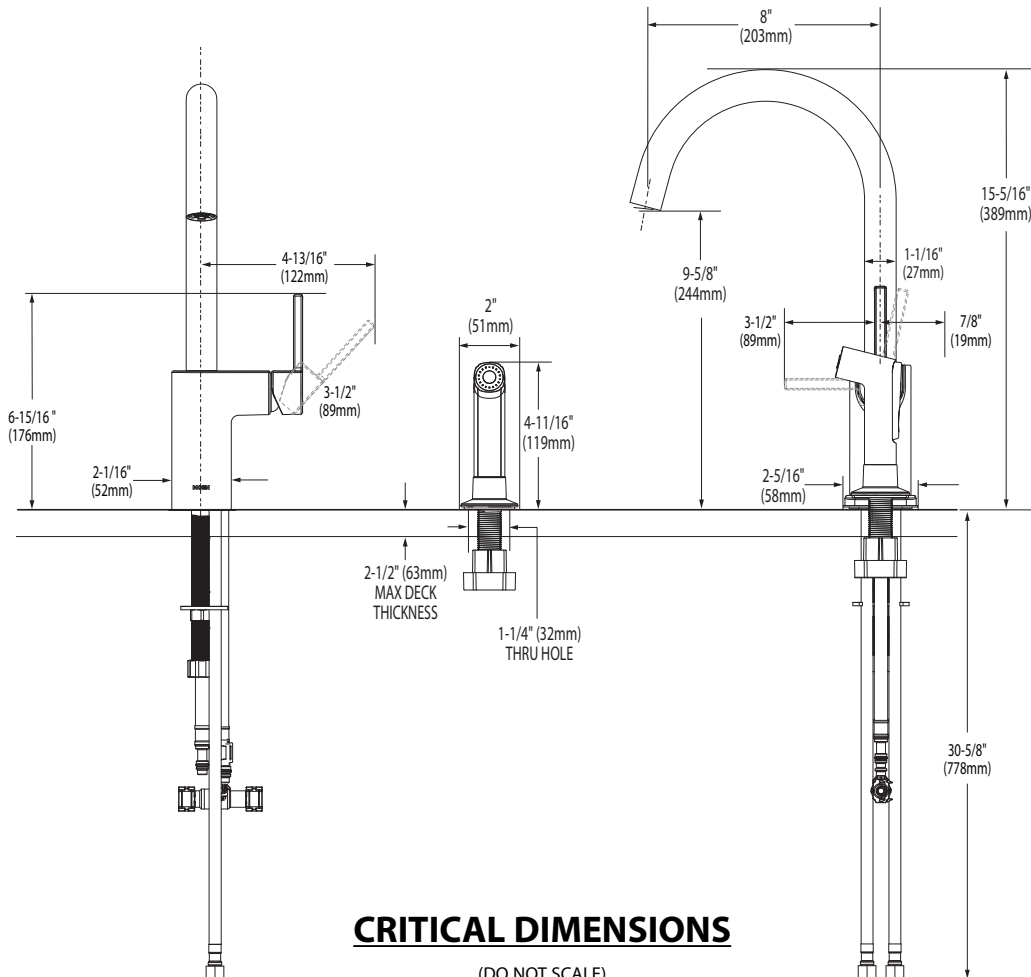
- Lifetime limited warranty against leaks, drips and finish defects to the original consumer purchaser
- 5 year warranty if used in commercial installations



ALIGN™ Single Handle Single Hole Mount High Arc Kitchen Faucet

Models: 7165 series

NOTE: THIS FAUCET IS DESIGNED TO BE INSTALLED THRU 2 HOLES, 1-1/2" (38mm) MIN. DIA. FOR VALVE, & 1-1/4" (32mm) MIN. DIA. HOLE FOR SIDE SPRAY (OPTIONAL 3-HOLE ESCUTCHEON 141002 AVAILABLE)



CRITICAL DIMENSIONS

(DO NOT SCALE)

TO ORDER PARTS CALL: 1-800-BUY-MOEN

www.moen.com