

# SPECIFICATIONS

**GENERAL**

Highest quality. Sink bowl is seamlessly drawn of #18 gauge, type 304 (18-8) nickel bearing stainless steel. Self-rimming.

**DESIGN FEATURES**

Bowl Depth: 5-3/4".

Finish: Exposed surfaces are hand blended to a lustrous high-lighted Lasting Beauty satin finish.

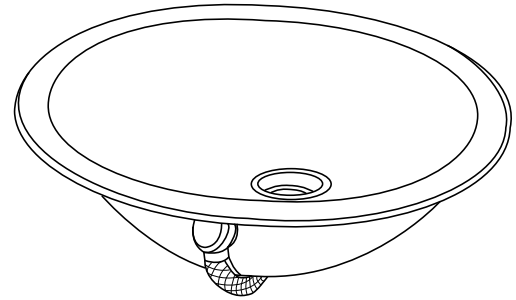
Underside: Underside of sink is fully protected to prevent condensation and deaden sound.

**OTHER**

Drain Opening: 1-5/8", 2-1/4" O.D. at top of countersink.

Overflow: Sink comes with LKF293 Overflow Assembly.

This sink complies with ANSI Standard A112.19.3M.



Model LLVR1310

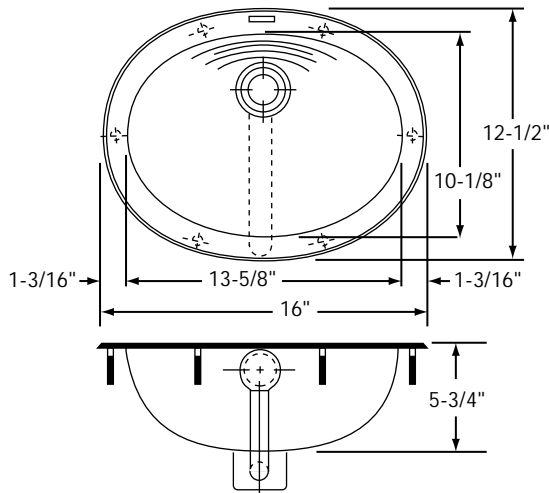


This sink is listed by the International Association of Plumbing and Mechanical Officials as meeting the requirements of the Uniform Plumbing Code.

**SINK DIMENSIONS (INCHES)\***

Model Number	Overall		Inside Bowl			With Overflow	Cutout in Countertop	Ship. Wt. Lbs.
	L	W	L	W	D			
LLVR1310	16	12 1/2	13 5/8	10 1/8	5 3/4	Yes	Use Sink Upside-Down as template and cut 5/16" INSIDE Sink Outline.	7

\*Length is left to right. Width is front to back.



Model LLVR1310 Illustrated

**ALL DIMENSIONS IN INCHES, TO CONVERT TO MILLIMETERS MULTIPLY BY 25.4.**

In keeping with our policy of continuing product improvement, Elkay reserves the right to change product specifications without notice.

This specification describes an Elkay product with design, quality and functional benefits to the user. When making a comparison of other producers' offerings, be certain these features are not overlooked.