

## DESCRIPTION

- Metal construction with a chrome plated, chrome/LifeShine® polished brass, brushed chrome, LifeShine® polished brass, or glacier finish
- 1/2" IPS connections

## OPERATION

- Pivot action lever style handle
- Temperature controlled through 180° degree arc of handle travel

## FLOW

- Aerator is limited to 2.2 gpm max (8.3 L/min)

## CARTRIDGE

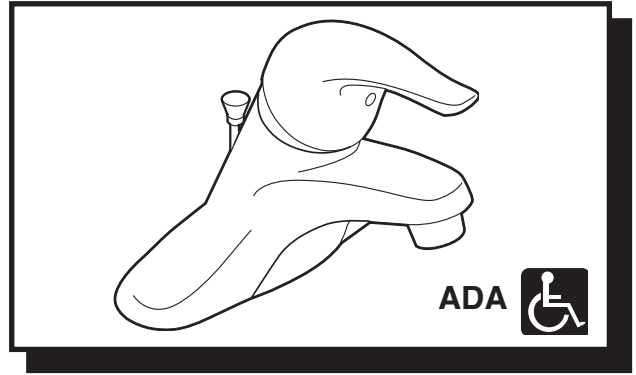
- 1225 cartridge design
- Nonmetallic/nonferrous and stainless steel material
- Can accommodate reversed piping and back to back installations

## STANDARDS

- Third party certified by CSA to meet CSA B-125, ASME A112.18.1M and all applicable requirements referenced therein and complies with the applicable requirements of ANSI A117.1
- Certified to ANSI/NSF 61/9
- Complies with California Proposition 65 and with the Federal Safe Water Drinking Act

## WARRANTY

- Lifetime limited warranty against leaks, drips and finish defects to the original consumer purchaser
- 5 year warranty if used in commercial installations



### CHATEAU® Single-Handle Lavatory Faucet

#### with Metal Waste Assembly

Models: L4621, L4621CP, L4621BC, L4621P

#### Bulk Pack Models (12 Per Carton)

L64620, L64621P, L64621W

#### with 50/50 Waste Assembly

#### Bulk Pack Model (12 Per Carton)

L64621

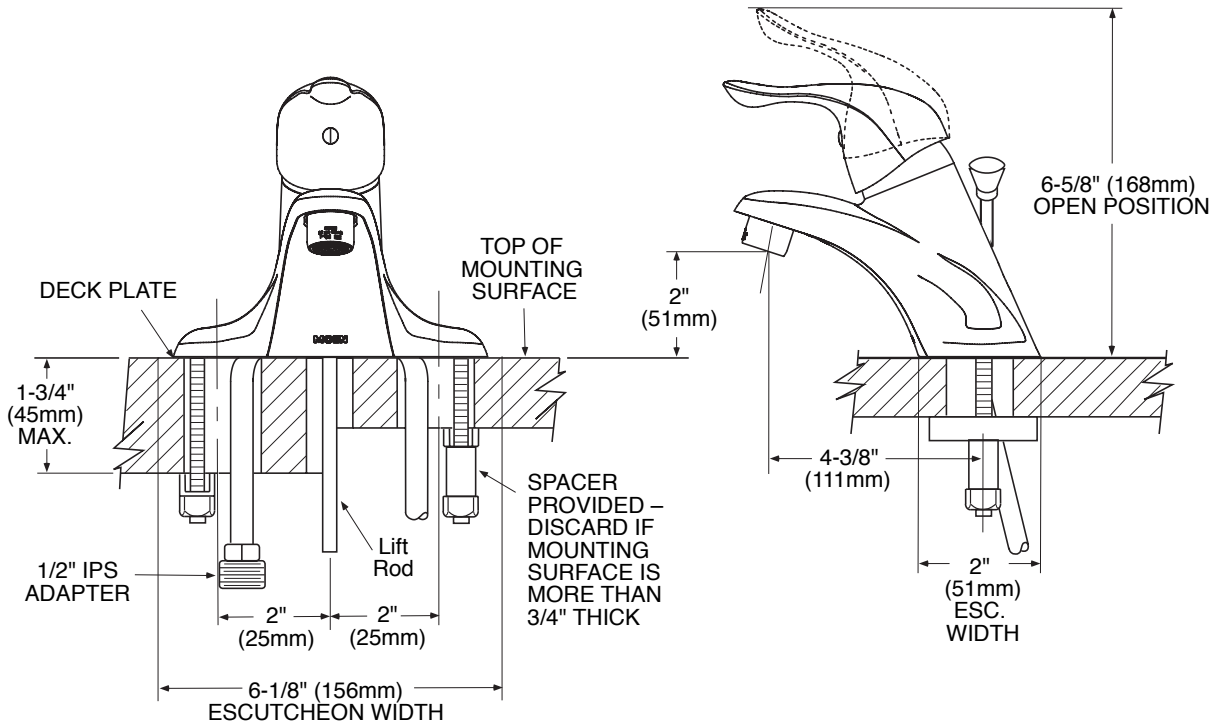
#### Less Waste

Model: L4601

#### Bulk Pack Model (12 Per Carton)

L64601

**NOTE:** THIS FAUCET IS DESIGNED TO BE INSTALLED THRU 3-1" DIA. HOLES, 2" ON CENTER



## CRITICAL DIMENSIONS

(DO NOT SCALE)

## DESCRIPTION

- Metal construction with a chrome plated, Chrome/LifeShine® polished brass, LifeShine® polished brass, or glacier finish
- 1/2" IPS connections

## OPERATION

- Pivot action lever style handle
- Temperature controlled through 180° degree arc of handle travel

## FLOW

- Aerator is limited to 2.2 gpm max (8.3 L/min)

## CARTRIDGE

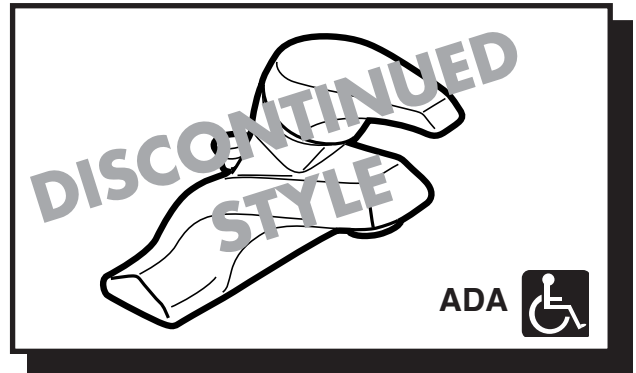
- 1225 cartridge design
- Nonmetallic/nonferrous and stainless steel material
- Can accommodate reversed piping and back to back installations

## STANDARDS

- Third party certified by CSA to meet CSA B-125, ASME A112.18.1M and all applicable requirements referenced therein and complies with the applicable requirements of ANSI A117.1
- Certified to ANSI/NSF 61/9
- Complies with California Proposition 65 and with the Federal Safe Water Drinking Act

## WARRANTY

- Lifetime limited warranty against leaks, drips and finish defects to the original consumer purchaser
- 5 year warranty if used in commercial installations



## CHATEAU®

### Single-Handle Lavatory Faucet

#### with Metal Waste Assembly

Models: L4621, L4621CP, L4621P, L4621W

#### Bulk Pack Models (12 Per Carton)

L64620, L64621P, L64621W

#### with 50/50 Waste Assembly

Bulk Pack Model (12 Per Carton)

L64621

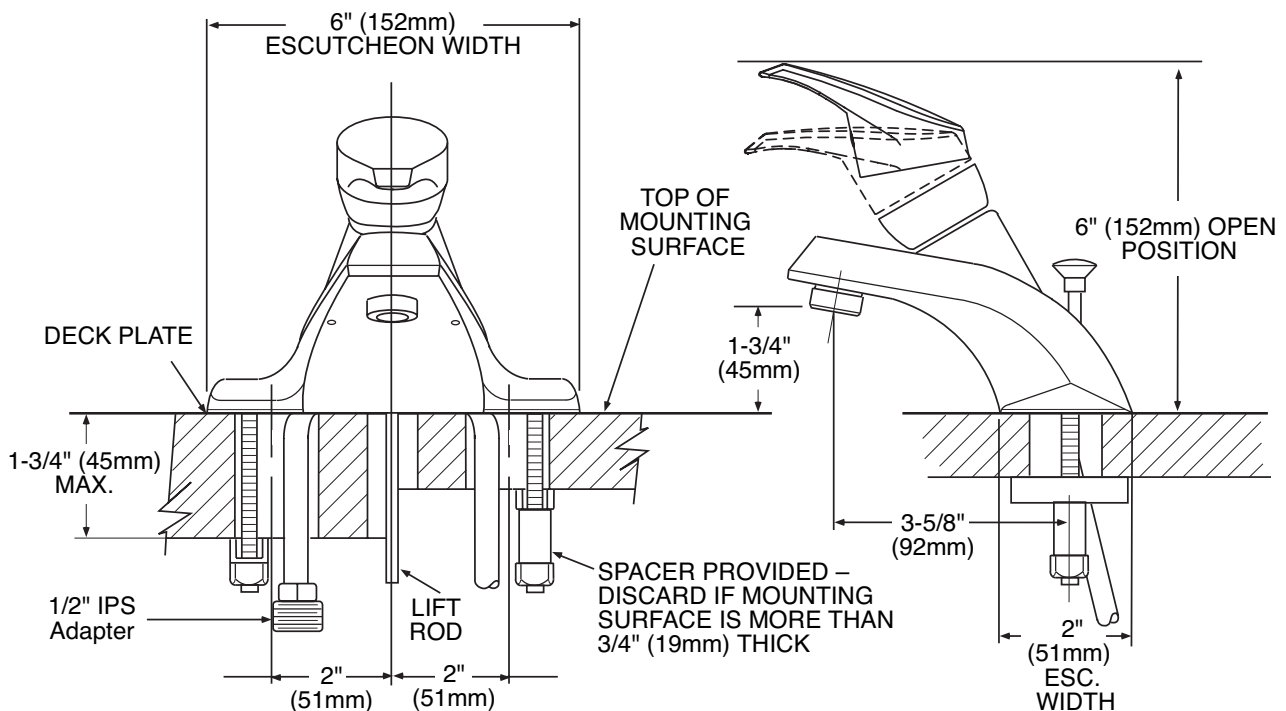
#### Less Waste

Model: L4600, L4601

Bulk Pack Model (12 Per Carton)

L64601

**NOTE:** THIS FAUCET IS DESIGNED TO BE INSTALLED THRU 3-1" DIA. HOLES, 2" ON CENTER



## CRITICAL DIMENSIONS

(DO NOT SCALE)