

### Features

- Brass construction.
- Dual control wall-mounted.
- Less drain.
- Stationary spout.
- 9-3/4" (248 mm) spout reach.
- ADA compliant lever handles.
- Requires two-handle ceramic valve [K-410-K].
- 1.2 gal/min (4.5 l/min) maximum flow rate [max at 60 psi (4.14 bar)].

### Required Accessories

K-410-K Wall-mount Valve

### Optional Accessories

K-7107 Decorative Drain  
K-7108 Decorative Drain  
K-7114 Pop-Up Drain  
K-7124 Pop-Up Clicker Drain  
K-7127 Drain  
K-7129 Drain



ADA

### Codes/Standards

ASME A112.18.1/CSA B125.1  
All applicable US Federal and State material regulations  
DOE - Energy Policy Act 1992  
EPA WaterSense®  
California Energy Commission (CEC)  
ADA  
ICC/ANSI A117.1

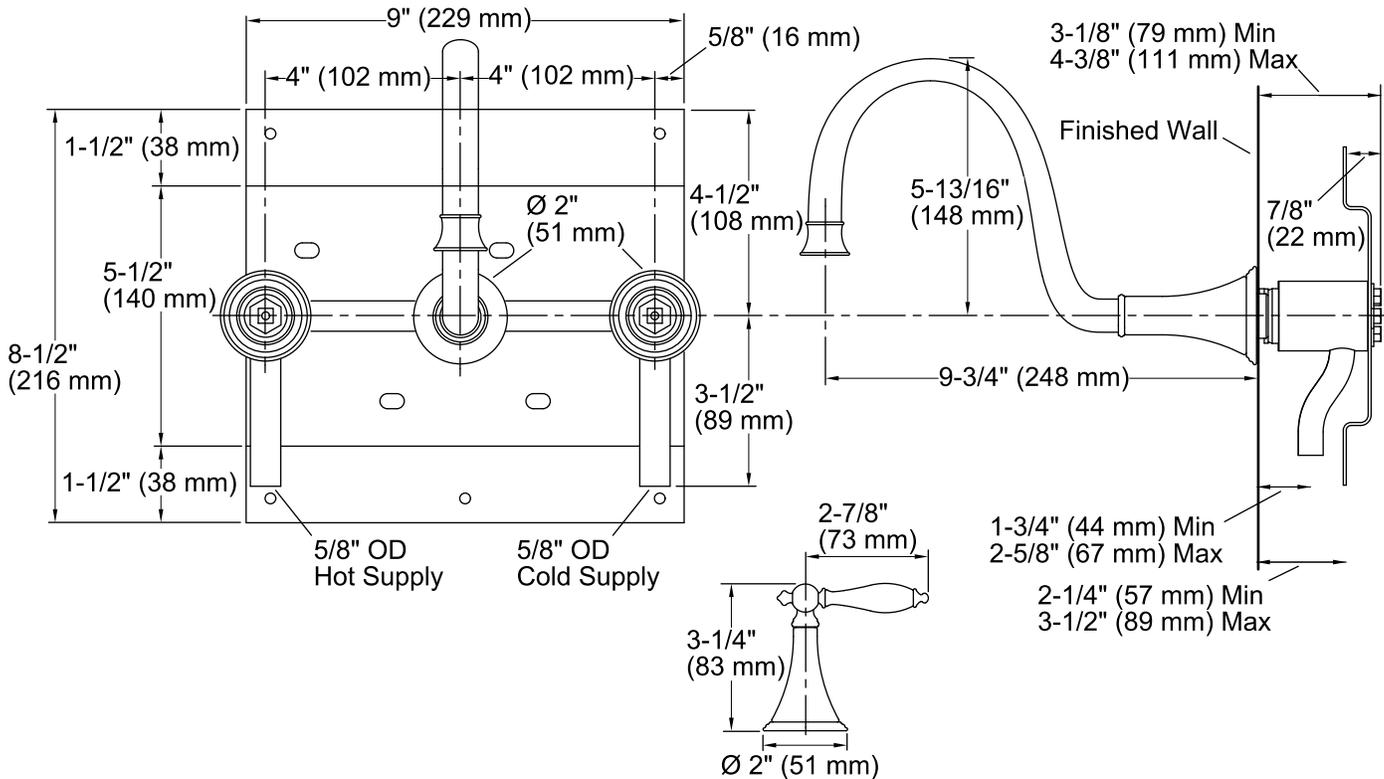
### KOHLER® Faucet Lifetime Limited Warranty

See website for detailed warranty information.

### Available Color/Finishes

*Color tiles intended for reference only.*

Color	Code	Description
	CP	Polished Chrome
	SN	Vibrant® Polished Nickel
	AF	Vibrant® French Gold
	BN	Vibrant® Brushed Nickel
	BV	Vibrant® Brushed Bronze
	2BZ	Oil-Rubbed Bronze



### Technical Information

All product dimensions are nominal.

#### Spout:

Spout reach: 9-3/4" (248 mm)

Handle clearance: 2-7/8" (73 mm)

#### Faucet:

Flow rate: 1.2 gal/min (4.5 l/min)

Pressure: 60 psi (4.1 bar)

### Notes

Install this product according to the installation guide.

Three 1-1/2" (38 mm) diameter cutout holes are required for the spout and handles.

The distance between the bottom of spout and top of the fixture rim must not be less than 1-1/2" (38 mm) and not greater than 6" (152 mm).

ADA compliant when installed to the specific requirements of these regulations.