

Features

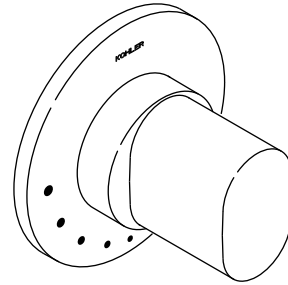
- Brass construction
- Front seal plate assembly
- Handle assembly
- Available with oblong handle

THERMOSTATIC VALVE TRIM
K-T10058-9
ALSO K-T10067-9, K-T10069-9

Codes/Standards Applicable

Specified model meets or exceeds the following:

- ASME A112.18.1/CSA B125.1
- ASSE 1016



Colors/Finishes

- CP: Polished Chrome
- Other: Refer to Price Book for additional colors/finishes

Accessories

- NA: None applicable

Specified Model

Model	Description	Colors/Finishes	
		<input type="checkbox"/> CP	<input type="checkbox"/> Other ____
K-T10058-9	Transfer valve trim	<input type="checkbox"/> CP	<input type="checkbox"/> Other ____
K-T10067-9	Volume control trim	<input type="checkbox"/> CP	<input type="checkbox"/> Other ____
K-T10069-9	Thermostatic valve trim	<input type="checkbox"/> CP	<input type="checkbox"/> Other ____

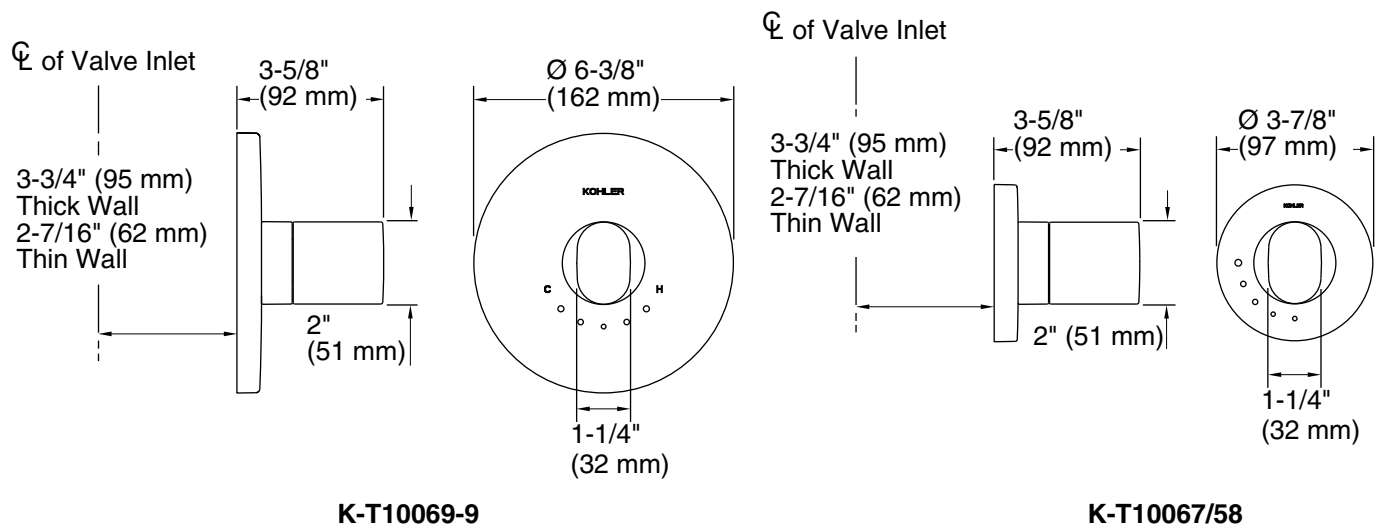
Required Accessories		
K-2972-KS (replaces K-679-KS)	1/2" Thermostatic valve	<input type="checkbox"/> NA
K-2974-K (replaces K-681-K)	1/2" Volume control	<input type="checkbox"/> NA
K-2975-KS (replaces K-669-KS)	3/4" Thermostatic valve	<input type="checkbox"/> NA
K-2977-K (replaces K-671-K)	3/4" Volume control	<input type="checkbox"/> NA
K-728-K	3/4" Transfer valve	<input type="checkbox"/> NA
K-737-K	3/4" Diverter valve	<input type="checkbox"/> NA

Product Specification

The thermostatic valve trim shall be made of brass construction. Thermostatic valve trim shall include front seal plate assembly and handle assembly. Thermostatic valve trim shall be available with an oblong handle. Thermostatic valve trim shall be Kohler Model K-T____-9-____ and valving shall be K____-____-NA.

Installation Notes

Install this product according to the installation guide.



Product Diagram