

Features

- Center drain.
- Integral lumbar support.
- 72" (1829 mm) x 42" (1067 mm) x 21-3/16" (538 mm); 24" in height with base if used in freestanding application.

Material

- Cast iron with Safeguard® finish.

Installation

- Drop-in or freestanding.

Recommended Accessories

- K- 705 Freestanding Bath Base
- K- 709 Freestanding Bath Base
- K- 1172 Adjustable Feet
- K- 7159 1-1/2" Pop-up Bath Drain



Codes/Standards






ASME A112.19.1/CSA B45.2

KOHLER® Lifetime Limited Warranty for Cast Iron Components

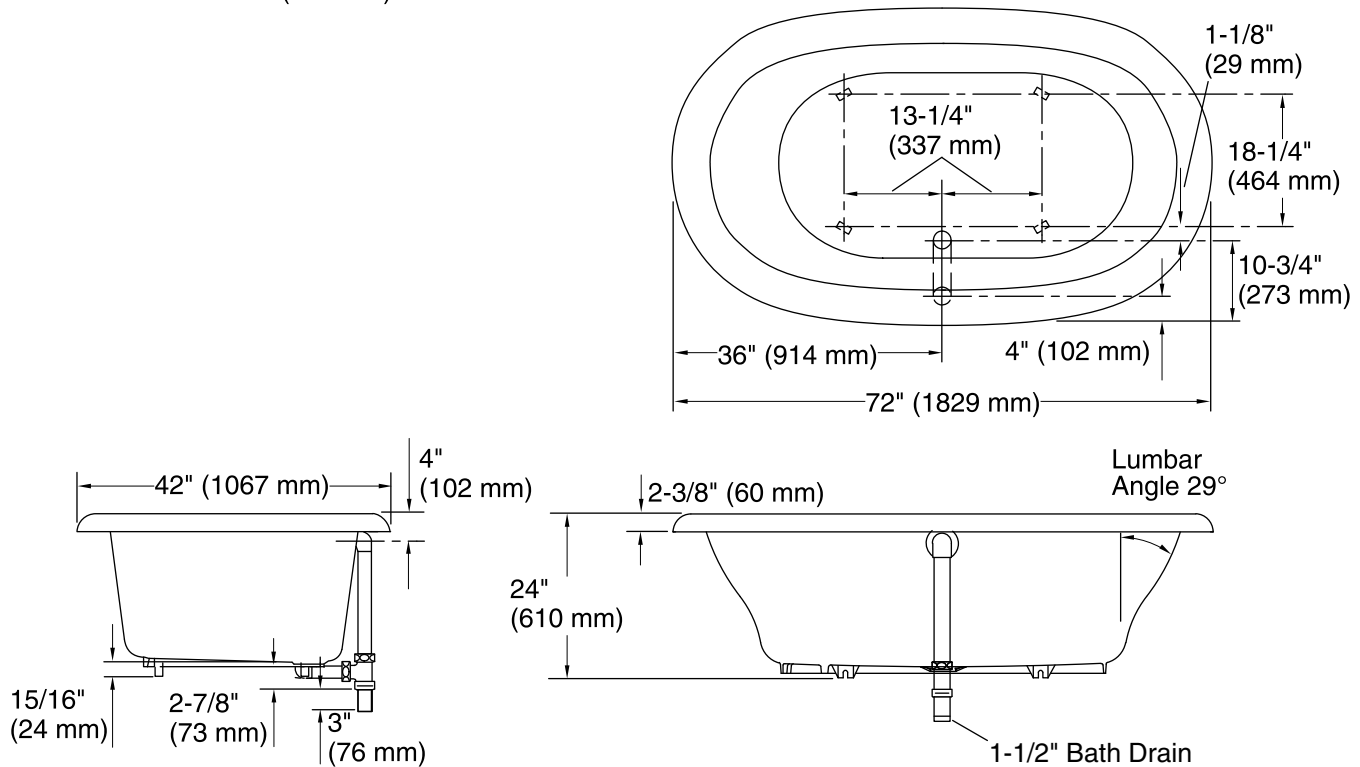
See website for detailed warranty information.

Available Color/Finishes

Color tiles intended for reference only.

Color	Code	Description
	0	White
	96	Biscuit
	47	Almond
	NY	Dune
	G9	Sandbar

No change in measurements if connected with drain illustrated. (K-7159)



Technical Information

All product dimensions are nominal.

Installation:	Drop-in, Freestanding
Drain location:	Center
Basin area, bottom:	44" x 24" (1118 mm x 610 mm)
Basin area, top:	60" x 32" (1524 mm x 813 mm)
Weight:	485 lbs (220 kg)
Minimum floor load:	57 lbs/ft ² (278.3 kg/m ²)
Water depth:	15" (381 mm)
Water capacity:	82 gal (310.4 L)
Template:	Drop-in, 106594-7, required, included

Notes

Measure your actual product for rough-in details.

Install this product according to the installation instructions.

The hot water supply should be 70% of the capacity of the bath or greater. Installations will vary.