

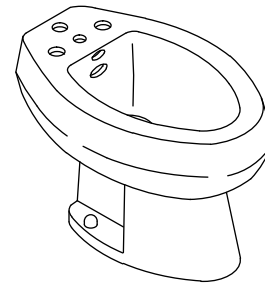
Features

- Vitreous china
- Drilled for fixture-mounted bidet faucet and fixture-mounted vacuum breaker
- Front fill and vertical spray
- For above or below the floor rough-in
- Includes mounting hardware

Codes/Standards Applicable

Specified model meets or exceeds the following:

- ASME A112.19.2/CSA B45.1



Colors/Finishes

- 0: White
- Other: Refer to Price Book for additional colors/finishes

Accessories

- CP: Polished Chrome
- PB: Vibrant® Polished Brass
- Other: Refer to Price Book for additional colors/finishes

Specified Model

Model	Description	Colors/Finishes	
K-4854	Bidet	<input type="checkbox"/> 0	<input type="checkbox"/> Other_____

Recommended Accessories				
K-142	Antique™ faucet OR	<input type="checkbox"/> CP	<input type="checkbox"/> PB	
K-316	Finial® Fundamentals or Traditional faucet OR			<input type="checkbox"/> Other_____
K-470	Memoirs® faucet OR	<input type="checkbox"/> CP	<input type="checkbox"/> PB	<input type="checkbox"/> Other_____
K-6814	IV Georges Brass® faucet OR		<input type="checkbox"/> PB	<input type="checkbox"/> Other_____
K-8247	Taboret® faucet OR	<input type="checkbox"/> CP	<input type="checkbox"/> PB	
K-12286-4	Fairfax® faucet OR	<input type="checkbox"/> CP	<input type="checkbox"/> PB	<input type="checkbox"/> Other_____
K-16132	Revival® faucet	<input type="checkbox"/> CP	<input type="checkbox"/> PB	<input type="checkbox"/> Other_____
K-8998	P-Trap	<input type="checkbox"/> CP		

Product Specification

The bidet shall be made of vitreous china. The bidet shall be drilled for fixture-mounted bidet faucet and fixture-mounted vacuum breaker. The bidet shall have front fill and vertical spray. The bidet shall be for above or below the floor rough-in. The bidet shall include mounting hardware. The bidet shall be Kohler Model K-4854-_____.

SAN TROPEZ®

Technical Information

Fixture:	
Configuration	Integral fill and vertical spray*
Drain hole	Ø 1-3/4" (44 mm)
Spray hole	Ø 3/4" (19 mm)
Faucet hole	Ø 3/8" (35 mm)
Diverter hole	Ø 5/16" (33 mm)
Pop-up rod hole	Ø 1-1/8" (29 mm)
*Requires faucet with transfer valve or diverter.	
Included components:	
Floor screws and bolt caps	52049

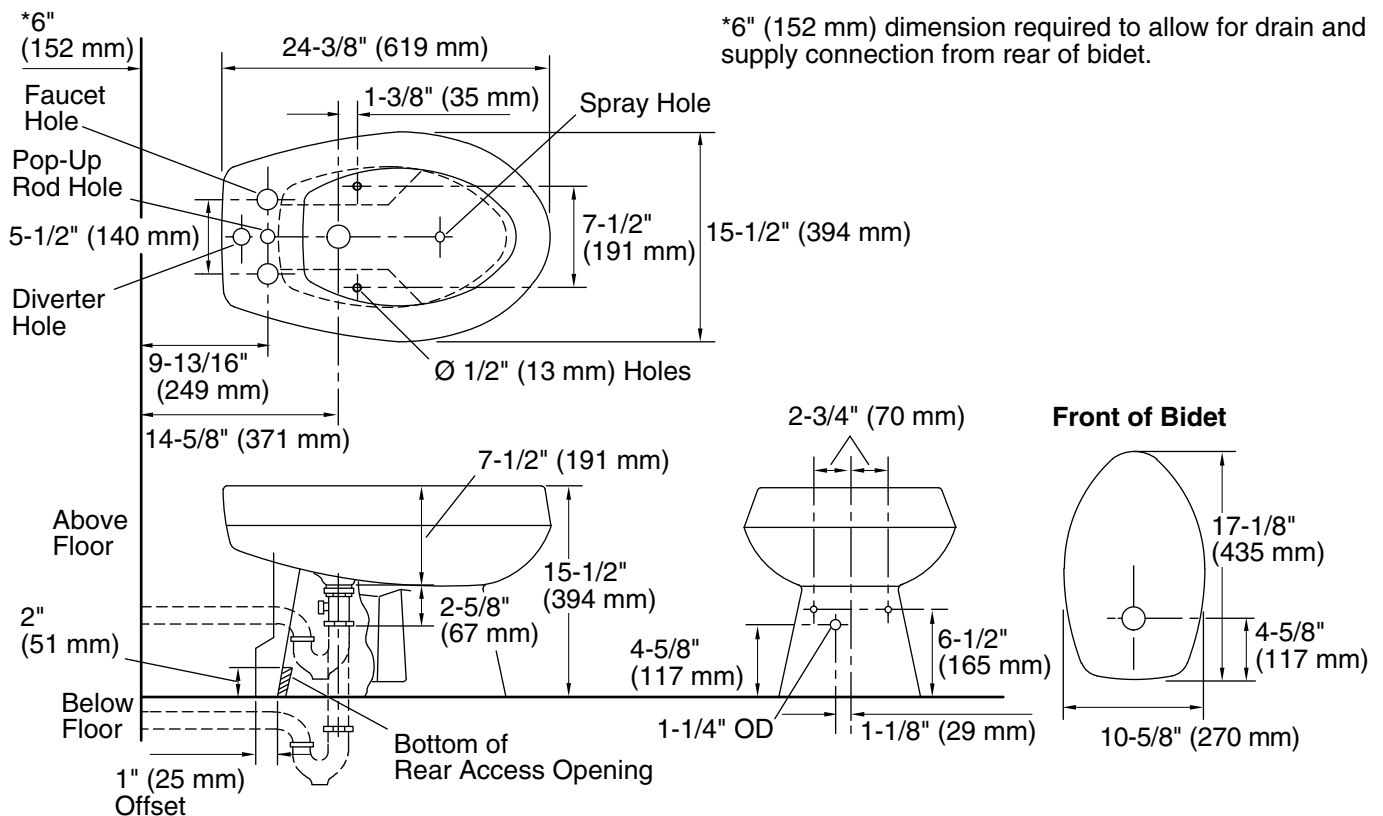
Installation Notes

Install this product according to the installation guide.

Trap can be installed above or below the floor.

Hot and cold supplies can be installed from the floor or the wall.

For floor supplies, hot and cold must be offset 1" (25 mm) away from the base (toward the wall).



Product Diagram