



## Yin Yang® Wading Pool®

Above-counter Bathroom Sink

K-2354-8

### Features

- Vitreous china.
- Above-counter.
- Unique shallow basin.
- With overflow.
- 8-inch centers.
- 21-1/4" (540 mm) x 18-1/16" (459 mm)

### Recommended Accessories

K-7107 Decorative Drain  
K-7108 Decorative Drain  
K-7127 Drain  
K-9018 P-Trap



ADA

### Codes/Standards




ASME A112.19.2/CSA B45.1  
ADA  
ICC/ANSI A117.1

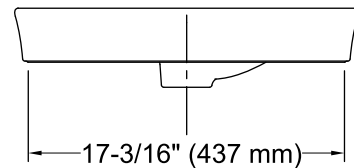
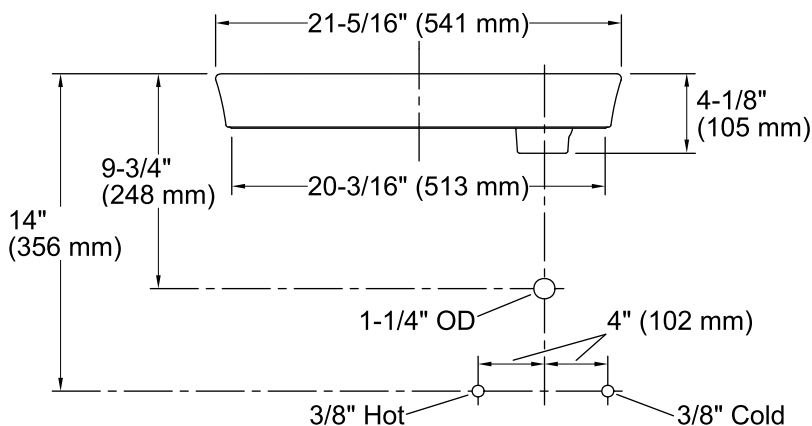
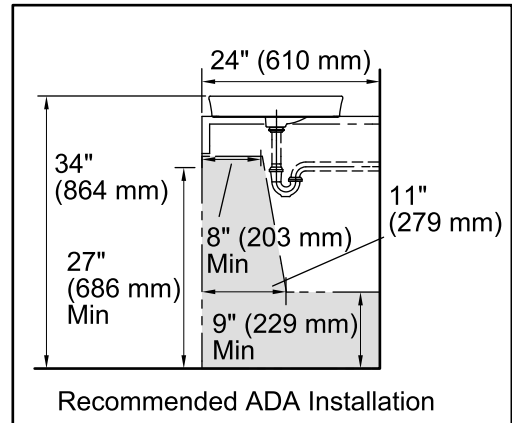
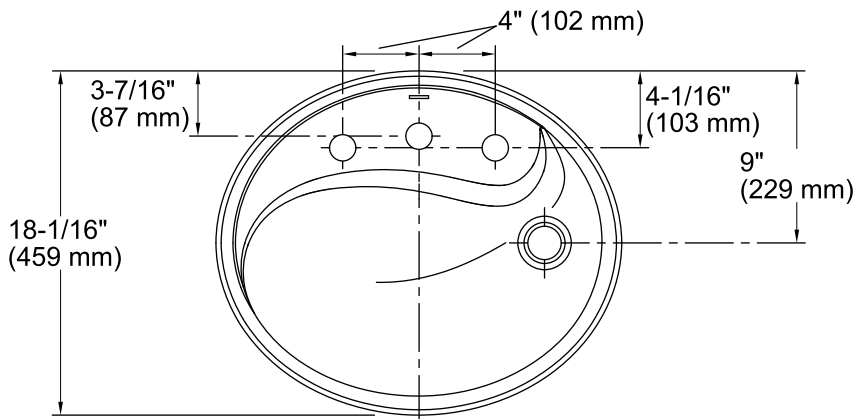
### KOHLER® One-Year Limited Warranty

See website for detailed warranty information.

### Available Color/Finishes

*Color tiles intended for reference only.*

| Color  | Code | Description |
|--|------|-------------|
|  | 0    | White       |
|  | 96   | Biscuit     |
|  | 47   | Almond      |



### Technical Information

All product dimensions are nominal.

Bowl configuration: Single

Installation: Above-counter

Bowl area (Only) Length: 19-11/16" (500 mm)  
 Width: 12-7/16" (316 mm)  
 Water depth: 9/16" (14 mm)

Number of deck holes: 3

Faucet hole(s): 1-3/8" (35 mm)

Drain hole: 1-3/4" (44 mm)

Template: Above-counter, 1066138-7, required, included

### Notes

Install this product according to the installation instructions.

**IMPORTANT!** Product rests on a countertop. Consider height of product when designing installation.

Choose a faucet that will provide adequate clearance and will direct the water stream to the center of the bathroom sink.

When installing a pop-up drain to this bathroom sink, it may be necessary to bend the drain linkage to allow proper reach to the faucet lift rod.

**NOTICE:** The countertop manufacturer or cutter must use the cut-out template provided with the product, or a current cut-out template provided by Kohler Co. (1-800-4KOHLER). Kohler Co. is not responsible for cutout errors when an incorrect cut-out template is used.

ADA compliant when installed to the specific requirements of these regulations.