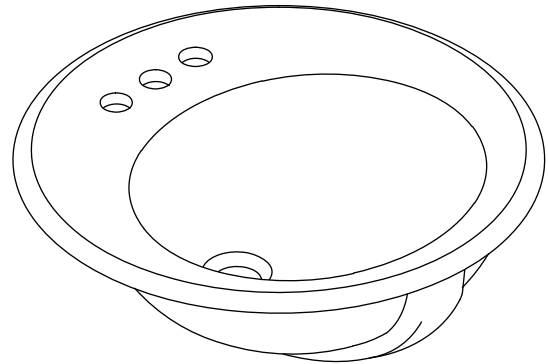


COUNTERTOP BATHROOM SINK K-2202

ADA

Features

- Vitreous china
- Drop-in
- With overflow
- 8" (203 mm) centers (-8), 4" (102 mm) centers (-4), or single-hole (-1)
- ADA compliant when installed in a 21" (533 mm) minimum depth countertop
- Optional soap dispenser hole on left (-L) or right (-R)
- 19" (483 mm) diameter



Codes/Standards Applicable

Specified model meets or exceeds the following:

- ADA
- ASME A112.19.2/CSA B45.1
- ICC/ANSI A117.1

Colors/Finishes

- 0: White
- Other: Refer to Price Book for additional colors/finishes

Accessories:

- CP: Polished Chrome

Specified Model

Model	Description	Colors/Finishes	
K-2202-8	With 8" (203 mm) centers; less soap dispenser hole	<input type="checkbox"/> 0 White	<input type="checkbox"/> Other _____
K-2202-4	With 4" (102 mm) centers; less soap dispenser hole	<input type="checkbox"/> 0 White	<input type="checkbox"/> Other _____
K-2202-4L	With 4" (102 mm) centers; with soap dispenser hole on left	<input type="checkbox"/> 0 White	<input type="checkbox"/> Other _____
K-2202-4R	With 4" (102 mm) centers; with soap dispenser hole on right	<input type="checkbox"/> 0 White	<input type="checkbox"/> Other _____
K-2202-1	With single-hole drilling; less soap dispenser hole	<input type="checkbox"/> 0 White	<input type="checkbox"/> Other _____
K-2202-1L	With single-hole drilling; with soap dispenser hole on left	<input type="checkbox"/> 0 White	<input type="checkbox"/> Other _____
K-2202-1R	With single-hole drilling; with soap dispenser hole on right	<input type="checkbox"/> 0 White	<input type="checkbox"/> Other _____
Recommended Accessory			
K-8998	P-Trap	<input type="checkbox"/> CP	

Product Specification

The drop-in bathroom sink shall be 19" (483 mm) in diameter. Bathroom sink shall be made of vitreous china. Bathroom sink shall have 8" (203 mm) centers (-8), 4" (102 mm) centers (-4), or single-hole drilling (-1). Bathroom sink shall be ADA compliant when installed in a 21" (533 mm) minimum depth countertop. Bathroom sink shall feature optional soap dispenser hole on K-2202-1 and K-2202-4 models (L, left or R, right). Bathroom sink shall be Kohler Model K-2202-_____-_____.

BROOKLINE®

Technical Information

ADA compliant			
Fixture*:		Basin area	Water depth
Bathroom sink		14" (356 mm) x 12" (305 mm)	4" (102 mm)
Outlet	Ø 1-3/4" (44 mm)		
* Approximate measurements for comparison only.			

Holes	K-2202-8	K-2202-4	K-2202-1
Spout	Ø 1-3/8" (35 mm)	Ø 1-1/4" (32 mm)	Ø 1-3/8" (35 mm)
Faucet	Ø 1-3/8" (35 mm)	Ø 1-1/4" (32 mm)	
Soap dispenser			Ø 1-1/4" (32 mm)

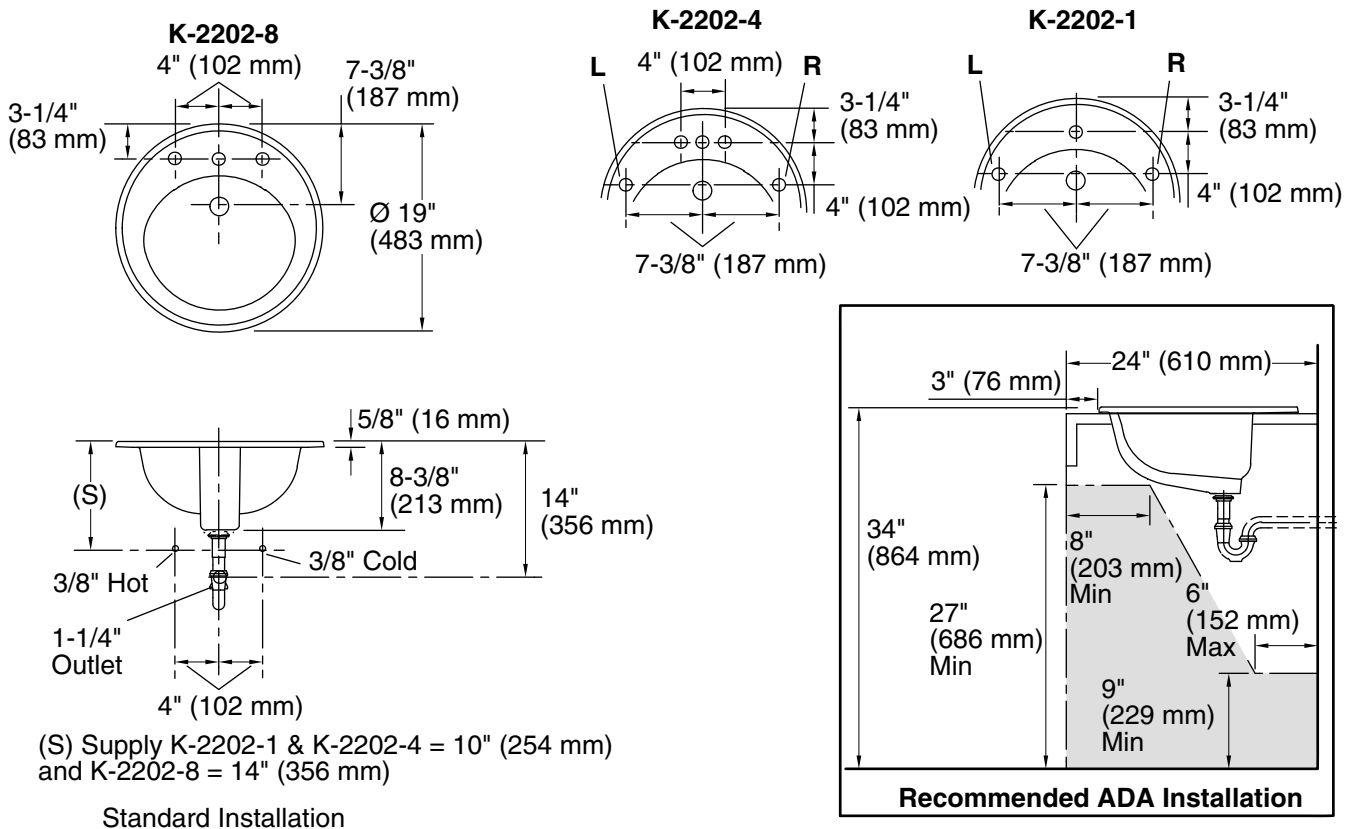
Included Components:

Cutout template	1002966-7
-----------------	-----------

Installation Notes

Install this product according to the installation guide.

NOTICE: Countertop manufacturer or cutter **must** use the cut-out template provided with the product or a current one provided by Kohler Co. (call 1-800-4KOHLER). Kohler Co. is not responsible for cut-out errors when incorrect cut-out template is used.



Product Diagram