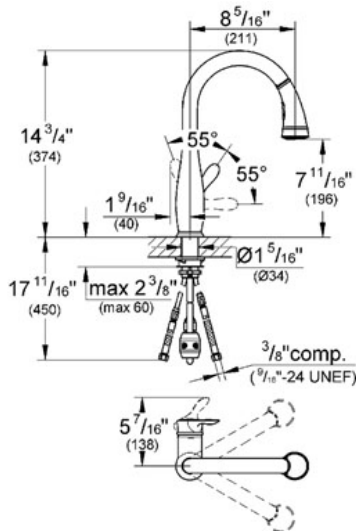


PARKFIELD  
Single-lever sink mixer 1/2"  
MODEL # 30213

Pure Freude an Wasser



GROHE America, Inc | 200 North Gary Avenue, Suite G, Roselle, IL 60172  
Phone: +1 (800) 444-7643 | Fax: +1 (800) 225-2778 | us-customerservice@grohe.com



**Product Description:**  
Single-lever sink mixer 1/2"

**Standard Specification:**

- GROHE SilkMove® ceramic cartridge
- SpeedClean anti-lime system
- Single hole installation
- Swivel Spout
- Swivel area 360°
- **Pull-out locking dual spray control - switches back and forth between regular flow and spray**
- Ball joint glideflex hose
- Automatic return to aerator
- Stainless Steel Braided Flexible Supplies
- Quick installation system
- **Protected against backflow**
- 14 5/8" faucet height
- 7 5/8" Aerator Height
- single lever handle
- no backsplash, lever opens to the front
- Weight operated pull back mechanism for hose
- 360° Ball-joint on hose for flexible handling of spray head
- Stainless steel braided hose
- Stainless steel braided supply lines
- Integrated non-return valve
- Max Flow Rate 1.75 gpm (6.6 L/min)

**Applicable Codes & Standards:**

- Energy Policy Act of 1992
- NSF 61
- ASME A112.18.1/CSA B125.1
- US Federal and State material regulations

**Color:**

- 30213 000 chrome
- 30213 DC0 supersteel
- 30213 ZB0 Oil Rubbed Bronze