



GERBER

VITREOUS CHINA
TOILET
21-917

LAVATORIES

TOILETS

BIDETS / URINALS

CAST IRON



MAXWELL® 1.28

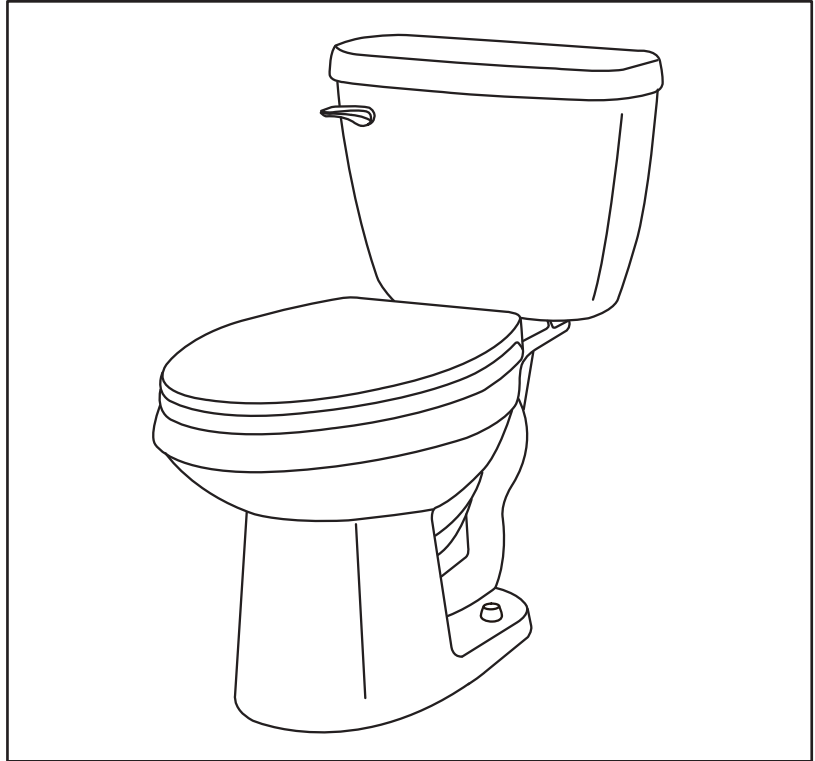
10" Rough-in

ErgoHeight™

17" High Elongated Toilet

Features:

- 1.28 gpf/4.8 Lpf high efficiency two-piece toilet
- Elongated ErgoHeight™ bowl
- Dual-fed siphon jet
- Pilot fill valve
- 3" flush valve
- 2" glazed trapway
- Color matched front tank lever (white only)
- Available in White and Biscuit
- 2 Bolt Caps
- ADA Compliant

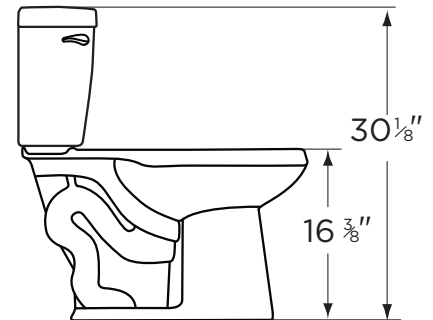
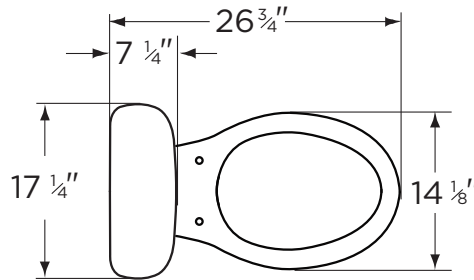


Dimensions:

- Height 30 1/8"
- Width 17 1/4"
- Depth 26 3/4"
- Rough-in 10"
- Water Surface from Rim 6 1/2"
- Trapway 2"
- Water Surface 8 7/8" x 7 3/8"
- Water Seal 2 1/4"
- Shipping Weight 79 lbs

Specifications: Bowl—#21-928 Elongated Bowl
Seat not included

Tank—#28-995



THIS FIXTURE QUALIFIES ACCORDING TO ASME TEST PROCEDURES AS A HIGH-EFFICIENCY WATER CLOSET WITH AN AVERAGE CONSUMPTION OF 1.28 gpf (4.8 Lpf) OR LESS.

HIGH EFFICIENCY TOILET
HET

www.gerberonline.com

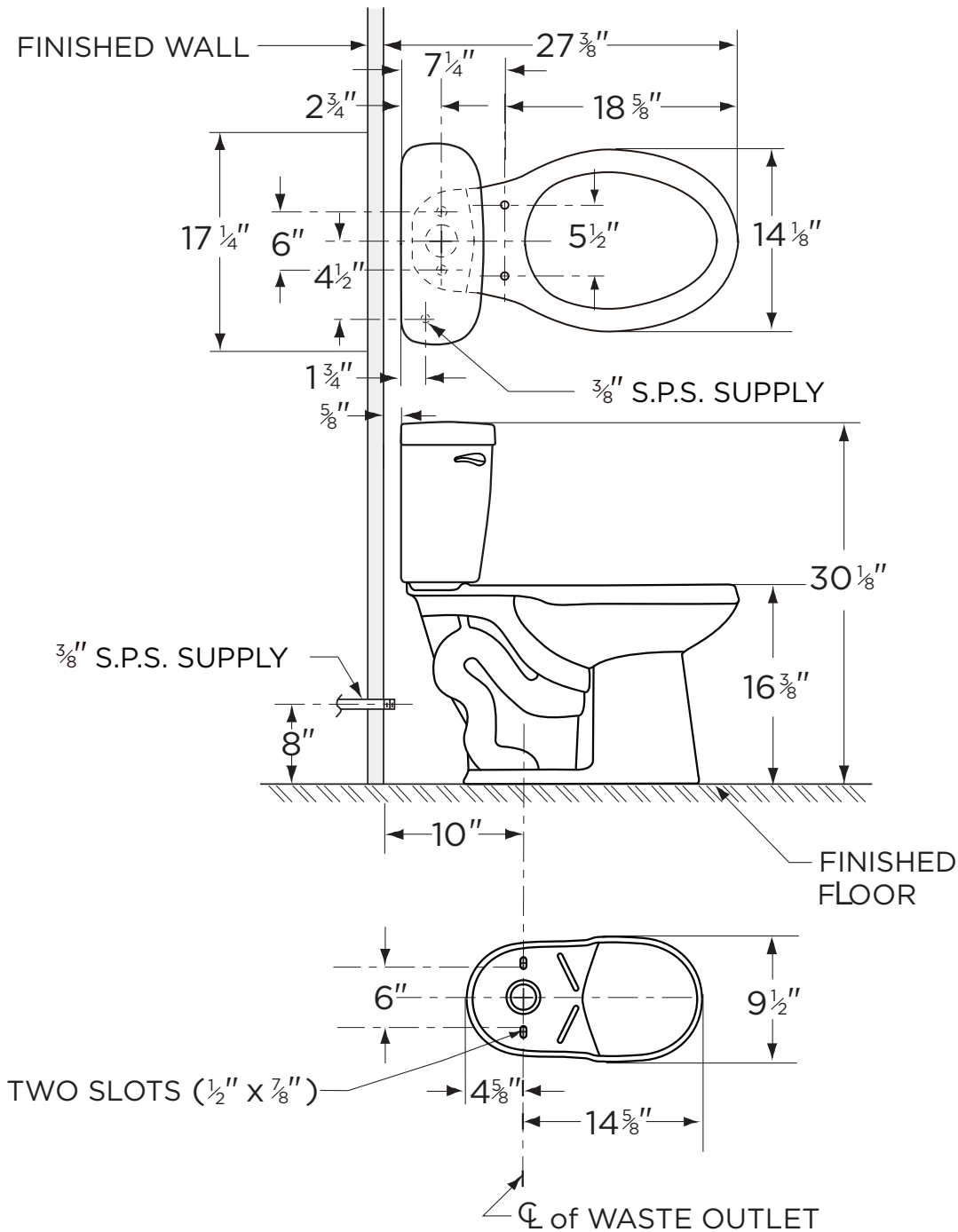
Job Name	
Date	
Model Specified	
Quantity	
Customer	
Contractor	
Architect/engineer	



GERBER

1.28 gpf (4.8 Lpf) MAXWELL® 1.28 TOILET
21-917

17" High Elongated, 10" Rough-in
(Bowl 21-928 with Tank 28-995)



NOTES:
All dimensions are in inches.
Illustrations may not be drawn to scale.

IMPORTANT:
Dimensions of fixtures are nominal and may vary within the range of tolerances established by ASME Standard A 112.19.2.

THIS FIXTURE QUALIFIES ACCORDING TO ASME TEST PROCEDURES AS A HIGH-EFFICIENCY WATER CLOSET WITH AN AVERAGE CONSUMPTION OF 1.28 gpf (4.8 Lpf) OR LESS.