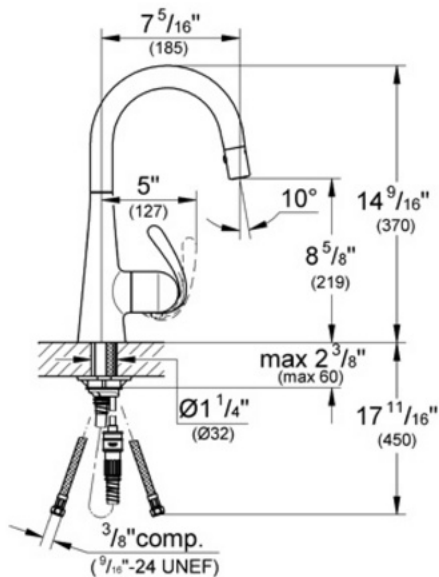


## 32 283 Prep Sink Dual Spray Pull Down



### Description

GROHE RealSteel® Stainless Steel Construction- produced from solid, Grade 304 stainless steel (SD0 only)  
000, DC0=Solid Brass Body  
GROHE SilkMove® Ceramic Cartridge  
SpeedClean® Anti-Lime System  
Locking Push Button Control -- to switch from regular flow to spray  
Stainless Steel Braided Flexible Supplies  
Quick Installation System  
Single Lever Handle  
Forward Rotation Lever, does not hit backsplash  
7 5/16" Spout Reach

### Flow Rate

2.2 gpm at 45 psi, 2.5 gpm at 80 psi  
(9.5 lpm)

### Code Compliance

ASME/ANSI A112.18.1M  
ANSI/NSF Standard 61  
ADA Compliant

### Finish Options

32 283 000 Starlight® Chrome  
32 283 SD0 Stainless Steel  
32 283 DC0 SuperSteel