

PRODUCT NAME: STAINLESS STEEL
GLASS FILLER 1/2" M WITH
1/4" FLARE FITTING

MODEL:
 54224 GLASS FILLER 1/2" M WITH 1/4" FLARE FITTING

FEATURES

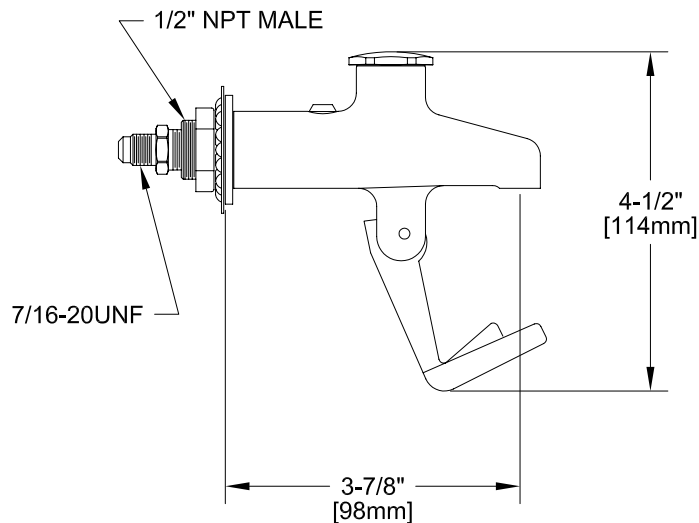
- GLASS FILLER
- * STAINLESS STEEL HEAD
 - * TAMPER PROOF VOLUME CONTROL
 - * HANDLES BOTH PAPER & GLASS CUPS
 - * NON-MARRING DELRIN PRONG
 - * STAINLESS STEEL SEAT SCREW
 - * STAINLESS STEEL STREAM STRAINER

SYSTEM LIMITS

- * TEMP: 40°F MIN. TO 140°F MAX.
- * PRESSURE: 100 PSI MAX. STATIC
- * 2.2 GPM AT 80 PSI

SHIPPING WEIGHT

- * 1.25 LBS
- * NSF 61-9 APPROVED & LISTED
- www.truesdail.com



ROUGH-IN:

