

APPLICATION:

JOB NAME:

QUANTITY:                      ITEM NO.

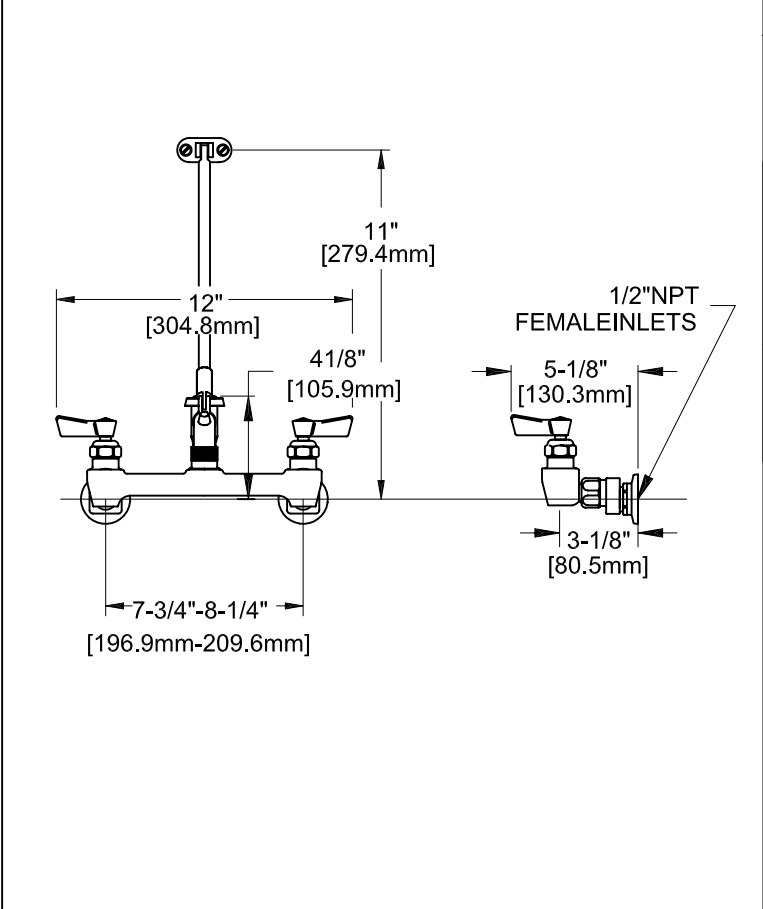
PRODUCT NAME:

SERVICE SINK FAUCET WITH  
LONG SPOUT AND VACUUM BREAKER

\_\_\_\_\_ SPECIAL CONFIGURATION  
CHECK BASE MODEL AND OPTIONS

MODEL:

■ 8253



OPTIONS OR MODIFICATIONS:

SUPPLY LINES (24" OR 36") CIRCLE LENGTH

NIPPLES

ELBOWS

VANDAL RESISTANT KIT

HANDLES (CROSS OR WRIST) CIRCLE STYLE

OTHER \_\_\_\_\_

FEATURES:

CONTROL VALVE

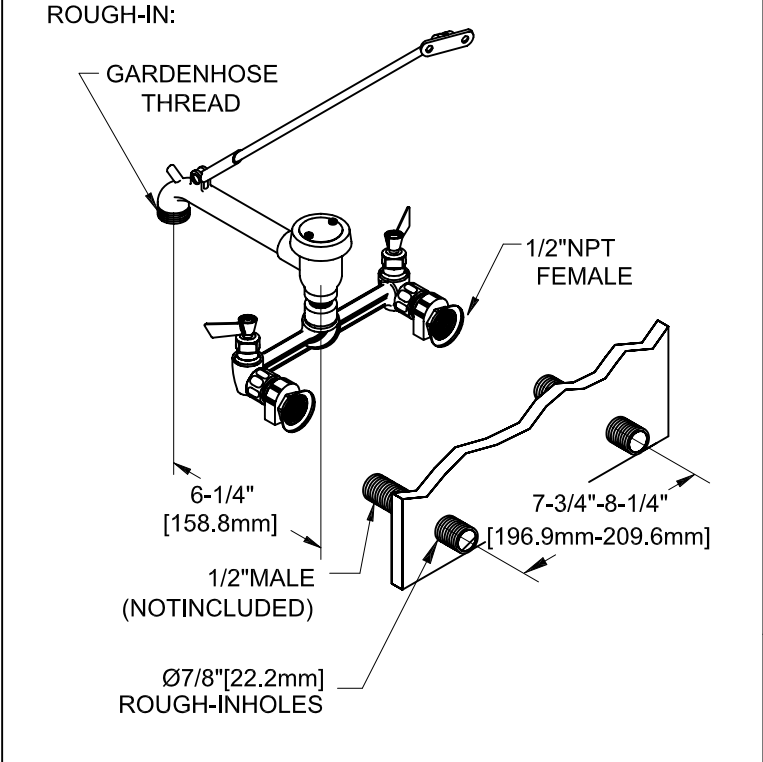
- \* ECCENTRICS ADJUST FROM 7-3/4" TO 8-1/4"
- \* INTERNAL SPRING LOADED CHECK VALVES
- \* SWIVELING SEAT DISKS
- \* HOT SIDE STEM - RIGHT HAND
- \* COLD SIDE STEM - LEFT HAND
- \* STAINLESS STEEL SEATS
- \* STAINLESS STEEL SEAT SCREWS
- \* STAINLESS STEEL HANDLE SCREWS
- \* ATMOSPHERIC VACUUM BREAKER
- \* 3/4" GARDEN HOSE THREAD OUTLET

SYSTEM LIMITS

- \* TEMP: 40°F MIN. TO 140°F MAX.
- \* PRESSURE 200 PSI MAX. STATIC
- \* 13.6 GPM AT 80 PSI

SHIPPING WEIGHT

- \* 6.25 LBS



**FISHER**

FISHER MANUFACTURING COMPANY

TOLL FREE: 800-421-6162 - FAX: 800-832-8238

information@fisher-mfg.com - www.fisher-mfg.com