



EVERPURE® SINGLE-TEMPERATURE FILTER FAUCETS

SINGLE-TEMPERATURE FILTER FAUCETS FOR THE HOME

Pentair® Everpure® single-temperature filter faucets deliver a steady stream of premium quality filtered water from Everpure commercial grade water filtration systems. These separate filter faucets are available in stunning finishes and colors to match today's high-end kitchen designs.



EV9970-69
Tuscan
Finish

FEATURES/BENEFITS

- Versatile design
- Selection of beautiful finishes to match the most popular designer faucets
- Lead-free
- Forged brass construction
- Aerator tip provides even, clear stream of filtered water
- Easy installation
- Compatible with reverse osmosis systems with the use of a separate air gap
- Certified to NSF/ANSI 61

SPECIFICATIONS

- **Flow Rate**
0.5 gal/min (1.9 L/min)
- **Operating Pressure**
20-90 psi (1.38-6.21 bar)
- **Temperature Range**
50-90°F (10-35°C)
- **Installation**
1/2" or standard sink hole installation



EV9970-63
Brushed
Nickel Finish



EV9970-64
Tuscan
Finish



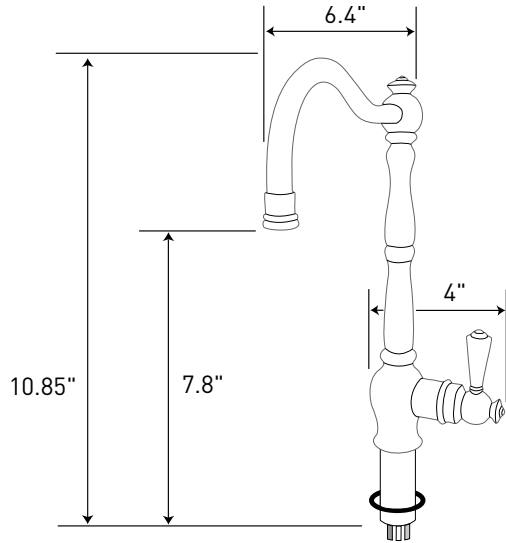
EV9970-59
Brushed
Nickel Finish



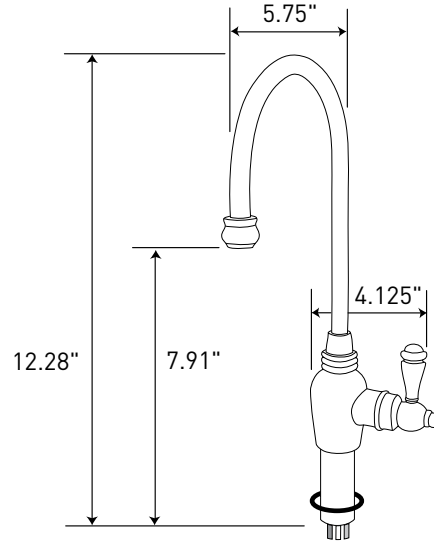
EV9970-60
Oil Rubbed
Bronze Finish

FAUCET DIMENSIONS

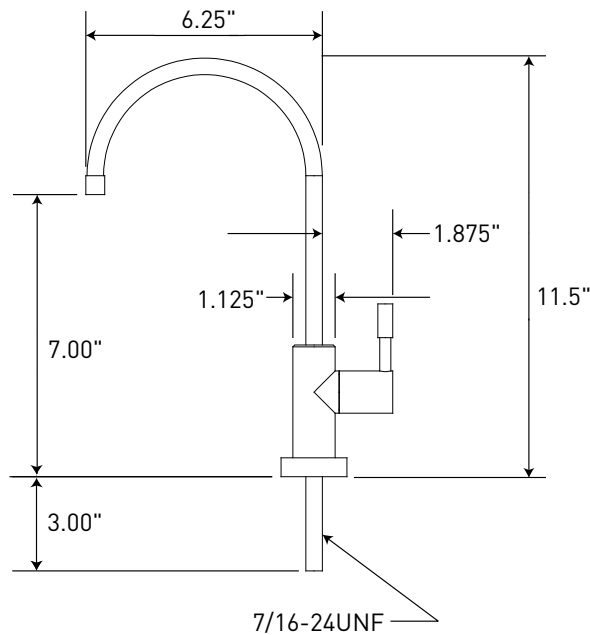
Victorian Series



Classic Series



Designer Series



FILTRATION & PROCESS

5730 NORTH GLEN PARK ROAD, MILWAUKEE, WI 53209

P: 262.238.4400 | F: 262.238.4404 | WWW.PENTAIRAQUA.COM | WWW.RESIDENTIAL.EVERPURE.COM | CUSTOMER CARE: 800.279.9404

All Pentair trademarks and logos are owned by Pentair, Inc. or its affiliates. All other registered and unregistered trademarks and logos are the property of their respective owners. Because we are continuously improving our products and services, Pentair reserves the right to change specifications without prior notice. Pentair is an equal opportunity employer.

EV314066 REV C JL14 © 2014 Pentair Residential Filtration, LLC. All Rights Reserved.