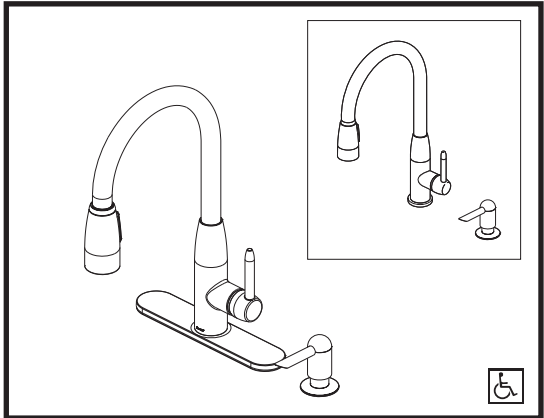
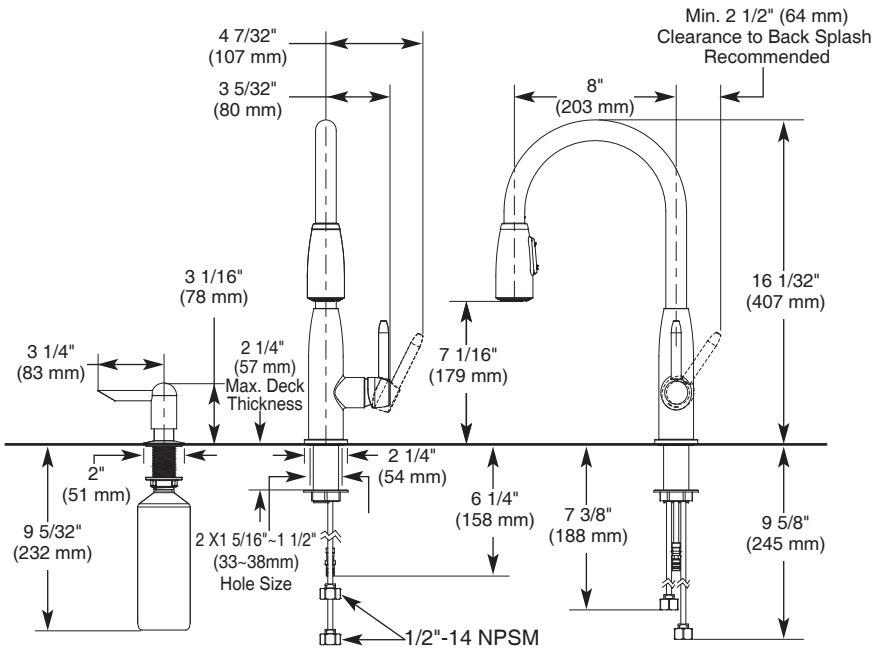


Mounting without escutcheon plate:



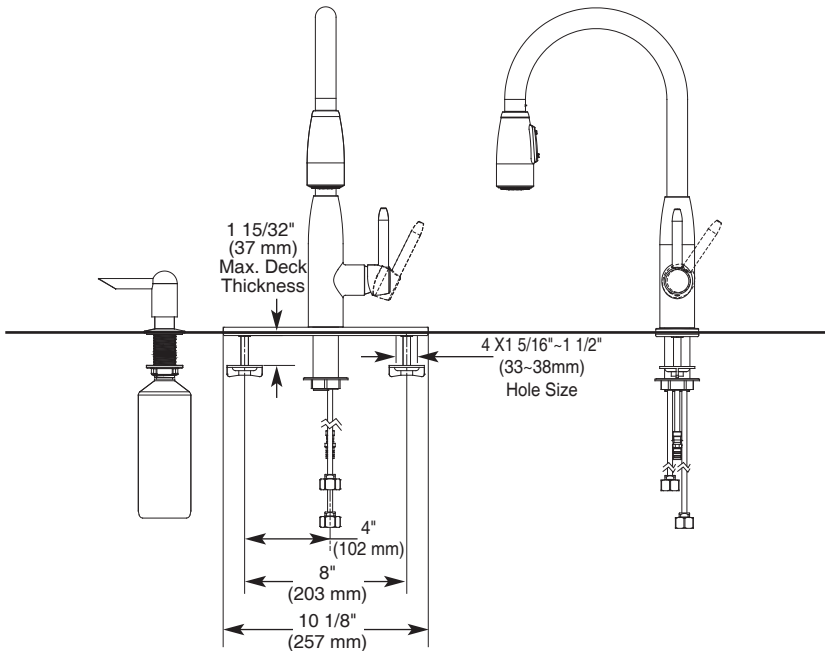
**KITCHEN FAUCET**

- Single handle, lever, pull-down kitchen faucet, 2-function wand.

**STANDARD SPECIFICATIONS**

- Single handle, 2-function pull-down kitchen faucet for exposed mounting on 2 and 4 hole sinks.
- 16 1/32" (407 mm) high, 8" (203 mm) long spout, swings 360°.
- Pull-down wand operates in an aerated or spray mode via a toggle diverter.
- Integral check valve in hose assembly.
- Hose travels inside mounting shank so it will not interfere with deck edges.
- 1/2"-14 NPSM threaded male inlet adapters.

Mounting with escutcheon plate:



**WARRANTY**

- Lifetime Faucet and Finish Limited Warranty to the Original consumer purchaser to be free from defects in material and workmanship.
- 5 Year Limited Warranty for usage in all Industrial, Commercial and Business applications.



**COMPLIES WITH**

- ASME A12.18.1/CSA B125.1

Indicates compliance to ICC/ANSI A117.1

Verified compliant with 0.25% weighted average Pb content regulations.

