

Recessed Fixtures Technical Specification

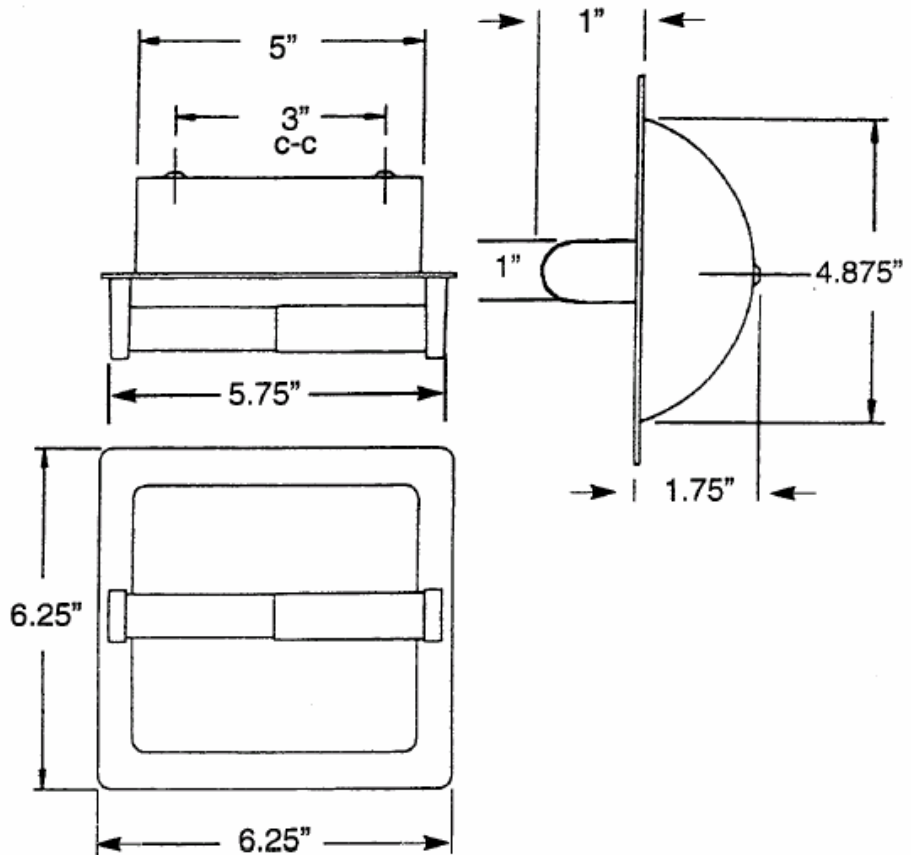
Recessed Paper Holders

2575, 2576

Stock Numbers:

- q 2576PB – Recessed Paper Holder
Polished Brass Finish
Clear Removable Tray
- q 2575 – Recessed Paper Holder
Polished Chrome Finish
Clear Removable Tray

Dimensions:



Materials:

Recessed Paper Holders are die cast from highest quality zinc alloy (zamac), with a triple plated polished brass or polished chrome finish. Rollers are plastic and spring loaded.

Installation Instructions:

Cut out wall opening 5.25" x 5.25" x 1.875" depth. If wood blocking is available, install recess shell into opening using 2" screws (provided). If wood blocking is not available, use optional installation clamp: BR587 or 588.

Stock Number: _____ Recessed Paper Holder
By CSI Bath Furnishings

