

Recessed Fixtures Technical Specification

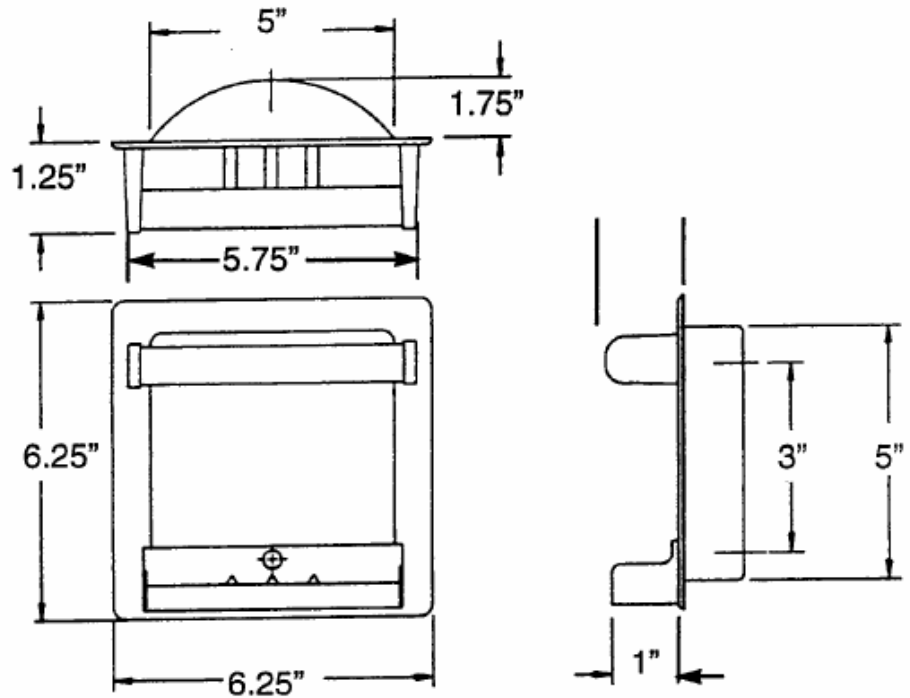
Recessed Soap Holders

2565

Stock Numbers:

- q 2565CH – Recessed Soap Holder
Chrome Finish
Clear Removable Tray

Dimensions:



Materials:

Recessed Soap Holders are die cast from highest quality zinc alloy (zamac), with a triple plated polished chrome finish. Removable soap trays are clear plastic.

Installation Instructions:

Cut out wall opening 5.25" x 5.25" x 1.875" depth. If wood blocking is available, install recess shell into opening using 2" screws (provided). If wood blocking is not available, use optional installation clamp: BR587 or 588.

Stock Number: _____ Soap Holder/Utility Bar
By Creative Specialties



25300 AL MOEN DRIVE • NORTH OLMSTED, OH 44070
CORPORATE HEADQUARTERS: (800) 321-8809 • FAX: (800) 848-6636
INTERNATIONAL: (440) 962-2000 • FAX: (440) 962-2726
CUSTOMER SERVICE (USA): 800-882-0116 • FAX: (888) 379-2720
WWW.CSI.MOEN.COM

©Copyright Creative Specialties International 2006