

Pressure Balancing Cycling In-Wall Valve With Stops

DESCRIPTION

- Brass construction
- “Check Stop” style shut - off stops
- 1/2" connections: IPS - exterior
CC - interior
- Pressure balancing 4 port cycling valve
- Twelve (12) individual boxes per master carton

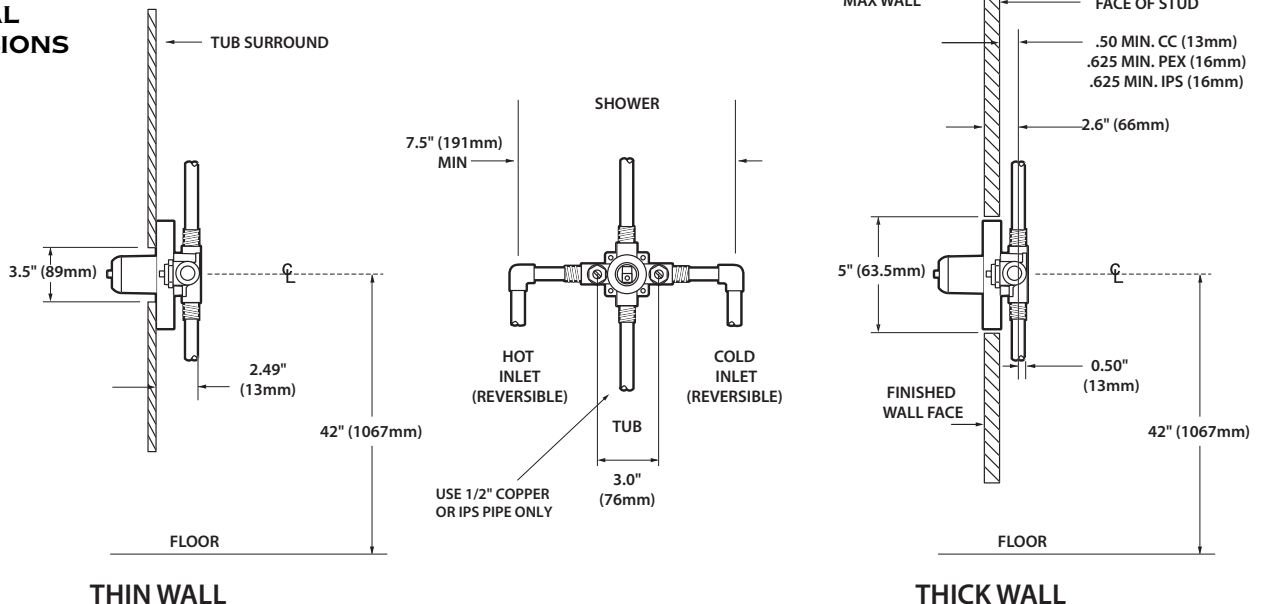
OPERATION

- Pressure balancing mechanism maintains selected discharge temperature to +/- 2°F
- Adjustable temperature limit stop to control maximum hot water
- For use in wall thicknesses 2.5" or greater
- Extension kit available, item #40073

CARTRIDGE

- European ceramic disc technology
- Non-metallic, non-ferrous, and plastic material

CRITICAL DIMENSIONS



STANDARDS

- Third party certified to CSA B125, ASME A112.18.1, IAPMO, ASSE, and all applicable requirements referenced therein, California Proposition 65, Illinois, Massachusetts, and Texas
- All CFG products are compliant to all plumbing codes that require 3rd party certification to the applicable plumbing/fitting standards

WARRANTY

- Ten (10) year limited warranty against defects in materials and manufacturing workmanship
- Refer to the installation instructions enclosed with each CFG product or call 1-888-450-4910 for complete warranty information.