

FEATURED MODEL

442037 ARTONA Pull-Down 1.5 gpm, STAINLESS Finish

ADDITIONAL MODELS

- 442038 1.5 gpm, CHROME
- 442031 1.5 gpm, ANTHRACITE & STAINLESS Dual Finish
- 442032 1.5 gpm, CAFE BROWN & STAINLESS Dual Finish
- 442033 1.5 gpm, CINDER & STAINLESS Dual Finish
- 442034 1.5 gpm, METALLIC GRAY & STAINLESS Dual Finish
- 442035 1.5 gpm, TRUFFLE & STAINLESS Dual Finish
- 442036 1.5 gpm, WHITE & STAINLESS Dual Finish

FEATURES

- Solid brass body
- Ceramic disk cartridge
- Pull-down spray
- 1.5 GPM flow rate
- Installation in a 1-3/8" hole
- Color coded hot and cold supply lines
- 180 degree spout swivel
- Maximum deck thickness 2-1/4"

OPTIONAL ACCESSORIES

- ARTONA Soap Dispenser 442047 STAINLESS
- ARTONA Bar/Prep Faucet 442045 STAINLESS

CODE/STANDARDS COMPLIANCE

- ASME A112.18.1-2005
- IAPMO Listed
- Meets AB1953 low lead requirements

WARRANTY

BLANCO'S kitchen and bar faucets feature a LIMITED LIFETIME WARRANTY to be free of all manufacturing defects under normal use. See our complete warranty for details.

While BLANCO endeavors to provide accurate information, all dimensions are nominal, cannot be guaranteed, and are subject to change or cancellation. BLANCO assumes no responsibility for use of superseded or voided specifications.

JOB INFORMATION

Job Name: _____

Contact: _____

Date Specified: _____

Specifier: _____

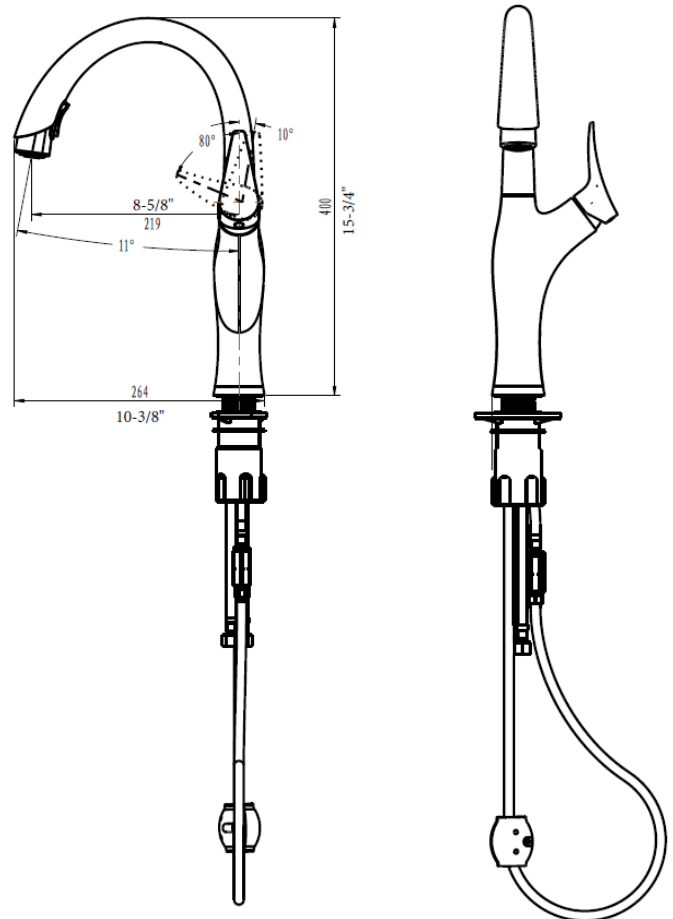
Contractor: _____



NOMINAL DIMENSIONS

Model 442031 shown

REACH	SPOUT HEIGHT	FAUCET HEIGHT
8-5/8"	10"	15-3/4"



See next page for exploded parts drawing and parts list.

BLANCO AMERICA

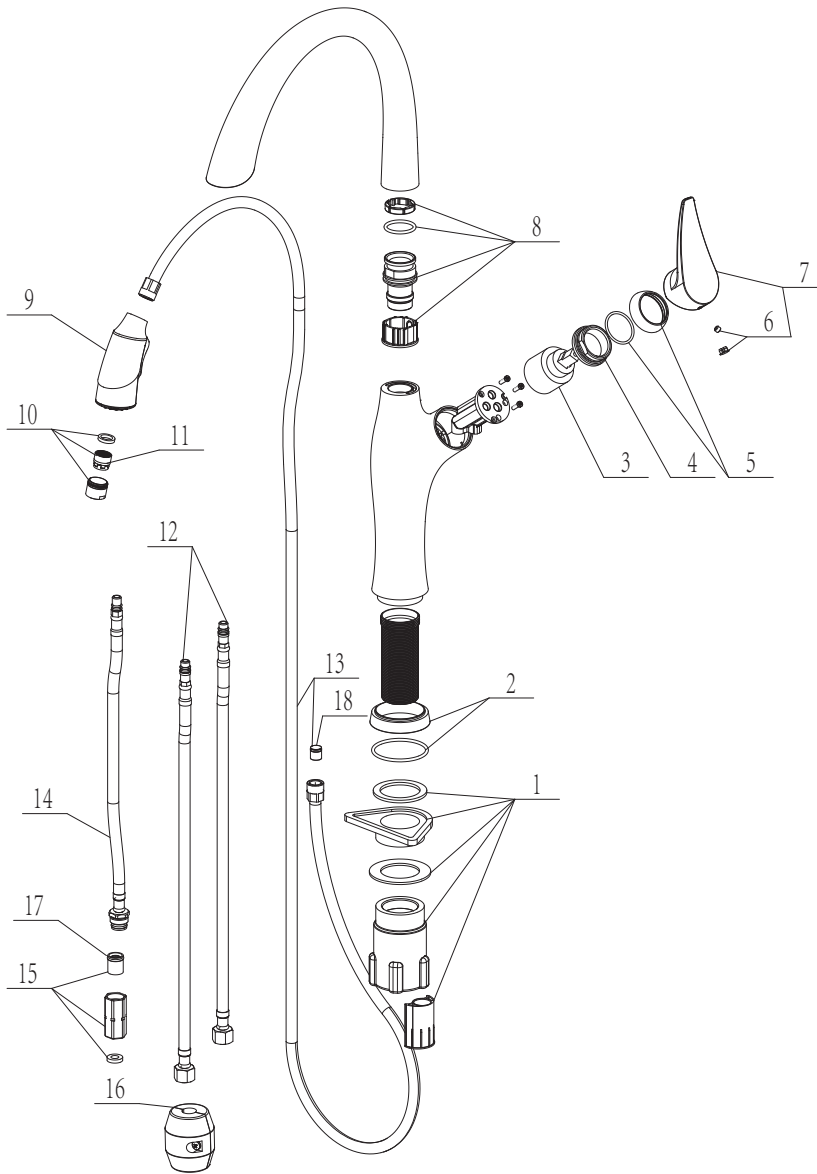
800.451.5782

www.blancoamerica.com

© 2016 BLANCO AMERICA

1/16

SPEC-001



Faucet hole Φ 1-3/8"

REPAIR PART GUIDE

Diagram #	Description	Part #
1	Artona Mounting Kit	442106
2	ARTONA Base Chrome	442107
2	ARTONA Base Stainless	442123
3	Cartridge	442109
4	ARTONA Cartridge Lock Nut Chrome	442110
5	ARTONA Cartridge Cap Chrome	442111
5	ARTONA Cartridge Cap Stainless	442124
6	ARTONA Cap and Screw Chrome	442112
6	ARTONA Cap and Screw Stainless	442125
7	ARTONA Handle Chrome	442113
7	ARTONA Handle Stainless	442126
8	Set of rings	442114
9	ARTONA Handspray Anthracite	442132
9	ARTONA Handspray Biscuit	442138
9	ARTONA Handspray Café Brown	442133
9	ARTONA Handspray Cinder	442134
9	ARTONA Handspray Metallic Gray	442135
9	ARTONA Handspray Truffle	442136
9	ARTONA Handspray White	442137
10	Aerator Kit	442116
11	Aerator	442117
12	Supply lines	441554
13	Spray Hose with Check Valve	442127
14	Supply Line	442118
15	ARTONA Hose Connection 2.2gpm	442128
15	ARTONA Hose Connection 1.5gpm	442129
16	Weight 230 grams	442120
17	Flow Restrictor with Check Valve 2.2gpm	442130
17	Flow Restrictor with Check Valve 1.5gpm	442131
18	Spray Hose Check Valve	442122

Need to Change a Faucet Cartridge?



Scan this QR code
to see our how-to video

For faucet technical support or questions,
please e-mail us at blanco@blancoamerica.com