

**MODEL NUMBER:**

☐ **775P.400 4" Deck Plate**

Metal with 1/4" fixation bolts. Polished Chrome finish.

☐ **775P.800 8" Deck Plate**

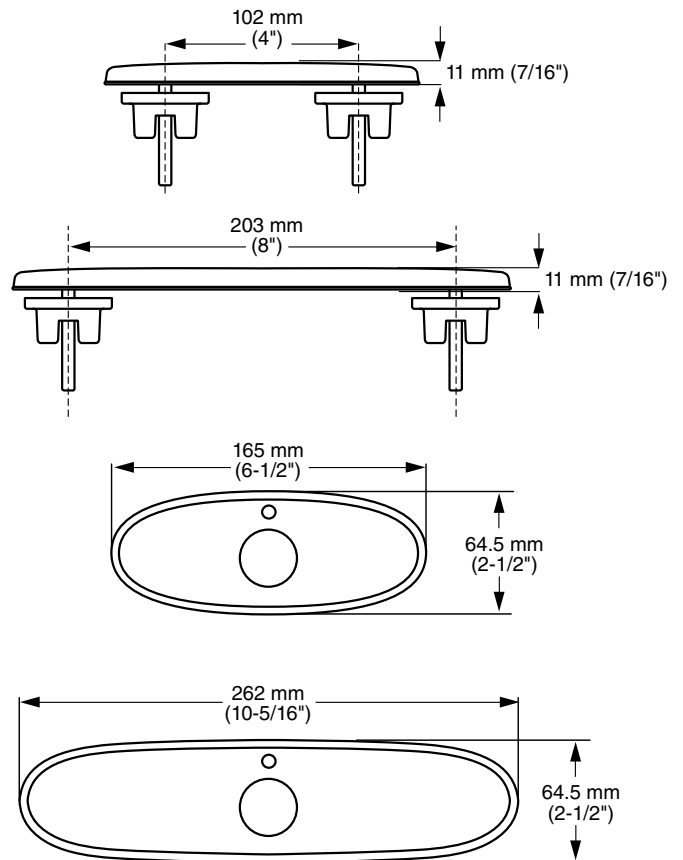
Metal with 1/4" fixation bolts. Polished Chrome finish.

**GENERAL DESCRIPTION:**

Metal deck plate for use with single post NextGen Selectronic faucets. Fixation screw prevents the faucet spout from rotating. 1/4" fixation bolts with quick spin nuts secure the plate to the deck.

**PRODUCT FEATURES:**

- For use with NextGen Selectronic faucets
- Metal construction
- Fixation screw prevents the faucet spout from rotating
- 1/4" fixation bolts with quick spin nuts secure the plate to the deck
- **4" Deck Plate** Dimensions:  
6-1/2" x 2-1/2" x 7/16" (165 x 64.5 x 11 mm)
- **8" Deck Plate** Dimensions:  
10-5/16" x 2-1/2" x 7/16" (262 x 64.5 x 11 mm)



**SUGGESTED SPECIFICATION**

The deck plate shall be metal construction with fixation screw to prevent the faucet spout from rotating. 1/4" fixation bolts with quick spin nuts. Fitting shall be American Standard Model # 775P\_00.002.