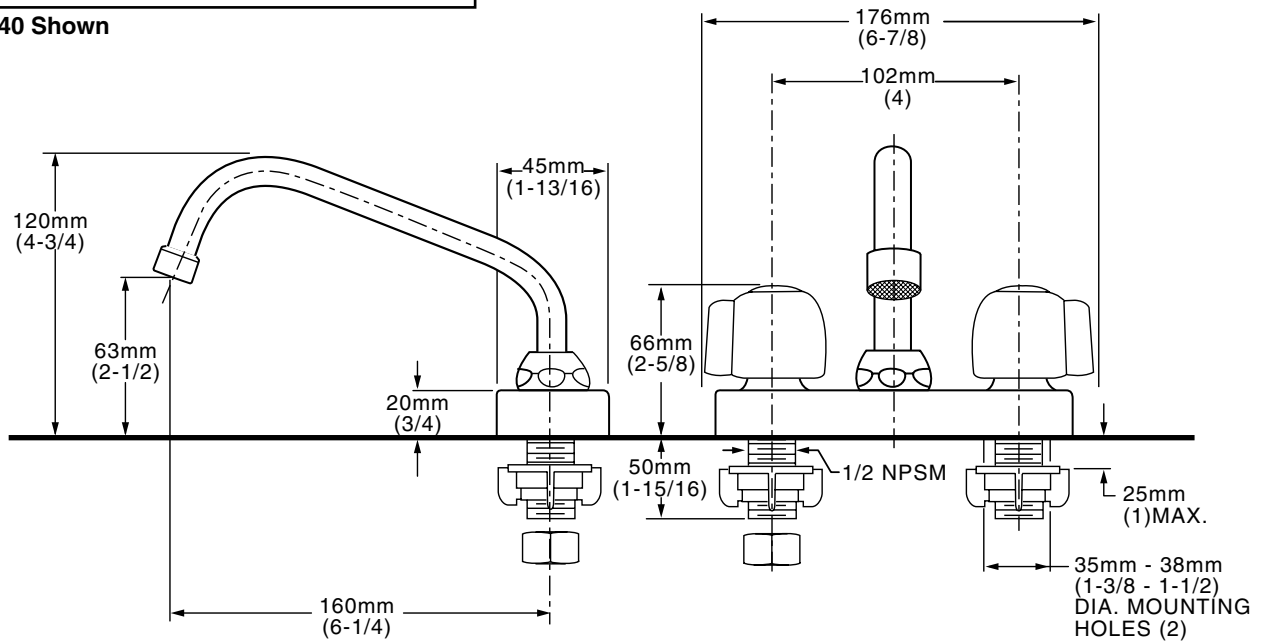


7573.140 Shown

MODEL NUMBER:

- ☐ **7573.140 Laundry Faucet**
Hose end. Lever handles.
- ☐ **7573.240 Laundry Faucet**
Aerator. Lever handles.



GENERAL DESCRIPTION:

4" centerset laundry faucet 1/4 turn washerless ceramic disc valve cartridges. Cast brass construction. 1/2" male threaded inlet shanks with brass coupling nuts. Brass swivel spout. Available with hose end or aerator with 2.2gpm/8.3L/min. maximum flow rate.

PRODUCT FEATURES:

Ceramic Disc Valve Cartridges: Assures a lifetime of drip-free performance.

Solid Brass Construction: Durable. Ideal for prolonged contact with water.

Low Lead: Meets NSF Standard 61/Section 9 & Prop 65 lead requirements.

Choice of Spout End: Hose end or Aerator.

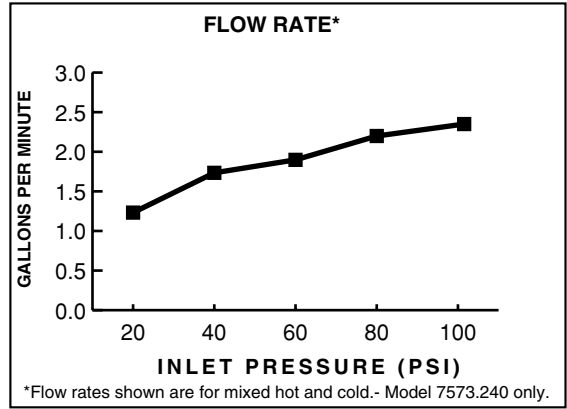
SUGGESTED SPECIFICATION:

Two-handle centerset laundry sink faucet shall be brass construction with brass inlet shanks and coupling nuts. Shall also feature 1/4 turn washerless ceramic disc valve cartridges. Fitting shall be American Standard Model # 7573.____.____.

CODES AND STANDARDS

These products meet or exceed the following codes and standards:

ASME A112.18.1



Product Number	Description	Finish
		Polished Chrome
7573.140	Laundry faucet. Hose end. Lever handles.	002
7573.240	Laundry faucet. Aerator. Lever handles.	