

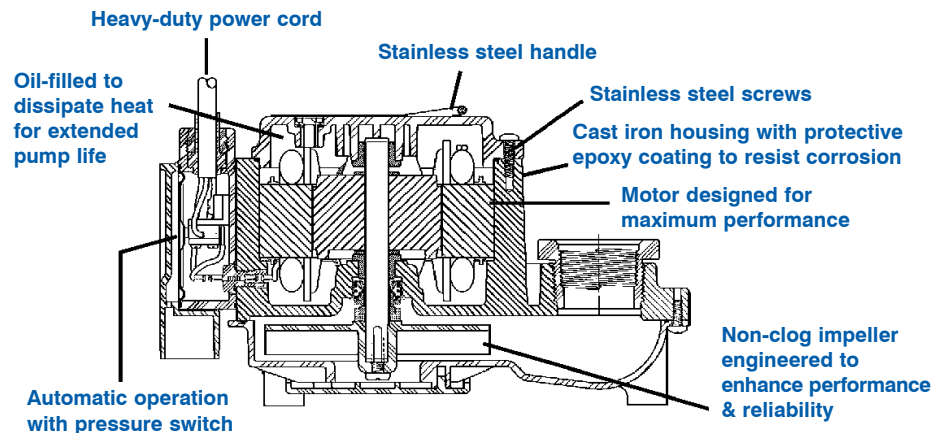
Little GIANT[®]

6-CIA WITH LEGS



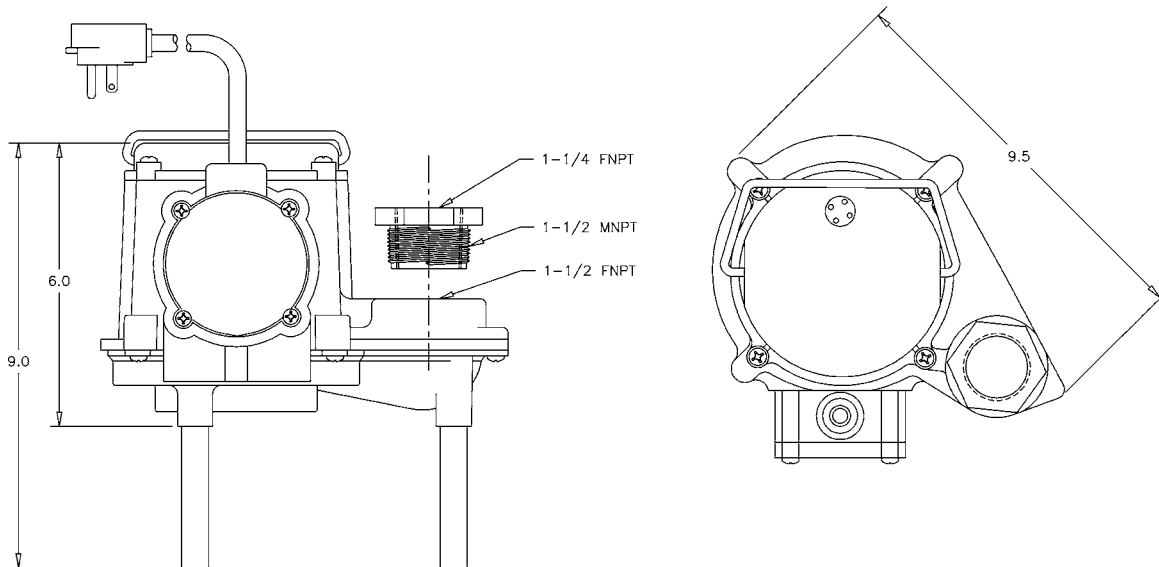
Features

- Cast iron pump housing with protective epoxy coating for corrosion resistance
- Oil-filled motor housing for lifetime lubrication and rapid heat dissipation
- 1/3 HP shaded pole motor
- Stainless steel screws, bolts and handle to protect against corrosion
- Mechanical seal (stainless steel spring, nitrile parts, carbon and ceramic faces) to assure maximum protection against pump failure
- Bearings: Upper and lower sintered sleeve bearings for extended motor life
- Thermal overload protection
- Automatic operation with pressure switch activates pump when water level is between 7" and 10". Pump shuts off when water level falls to between 1" and 4" (on and off levels are 3" higher when leg kit is installed) (pressure switch is non-adjustable)
- PVC leg kit to lift the pump off the bottom of the basin to help keep the intake screen free of debris



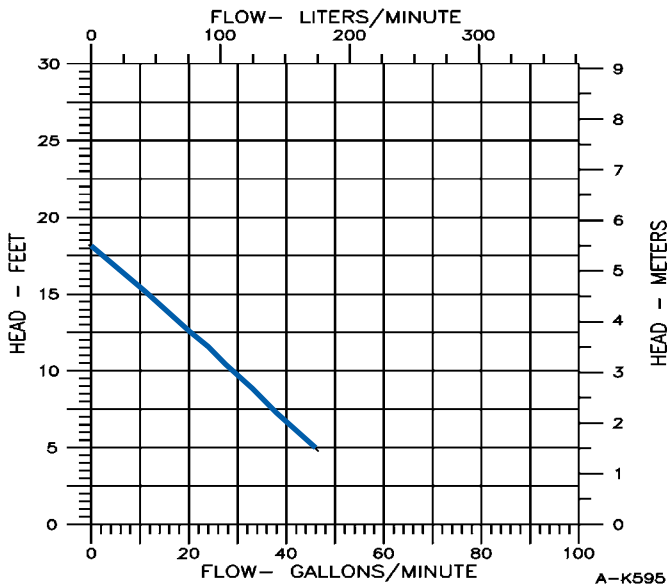
For residential and light commercial use, the Model 6-CIA sump pumps provide efficient and reliable service. For extended or continuous use in moving large volumes of water, these pumps feature a 1-1/2" discharge with a maximum lift of 18', a polycarbonate cover and a polypropylene volute/base.

6-CIA WITH LEGS



Specifications

Model No.	Item No.	Listing	HP	Volts	Amps R	Watts	Performance (GPM@Head)			Shutoff (ft.)	P.S.I.	Power Cord (ft.)	Weight (lbs.)	Dimensions (H x L x W) (in.)
							5'	10'	15'					
6-CIA	506162	UL/CSA	1/3	115	9.0	720	46	29	12.5	18	7.8	8	18.00	6.00 x 9.50 x 8.50



Construction

Cover	Polycarbonate
Motor Housing	Epoxy Coated Cast Iron
Impeller Material	Nylon
Impeller Type	Non-Clog
Volute	Polypropylene
Power Cord	18/3 SJOW-A
Mechanical Shaft Seal	Nitrile w/Carbon & Ceramic Faces
Fasteners	Stainless Steel
Shaft	Cold Rolled Steel
Bearings	Sintered Iron/Copper, Flanged Sleeve