

# Residential Manufactured Home Atmospheric Vent Energy Saver Gas Water Heater



Photo is of  
RG2MH30T6X

**FEATURING:**



**The Manufactured Home FVIR Defender Safety System® Models Feature:**

- **Advanced ScreenLok® Technology Flame Arrestor Design**—Flame arrester is designed to prevent ignition of flammable vapor outside of the water heater.
- **Resettable Thermal Switch**—Proven and reliable bimetallic switch prevents burner and pilot operation in case of ongoing flammable vapor burn inside of the combustion chamber or restricted air flow.
- **Piezo Igniter**—Easy and quick lighting of the pilot burner by push button.
- **Pedestal Base**—Rugged and durable base allows easy transport and positioning, while providing corrosion-resistant contact with floor.
- **Maintenance-Free**—No regular cleaning of air inlet openings or flame arrester is required under normal conditions.
- **Sight Window**—Offers a view into the combustion chamber to observe the operation of the pilot and burner.
- **Housing and Urban Development**—This water heater is designed in accordance with H.U.D. and is certified for installation in a manufactured home (mobile home) only and must be installed in an enclosure that will completely separate the water heater combustion and venting system from the dwelling interior.
- **Roof Jack Kit**—Ordered separately and includes a roof jack kit and hardware. Must specify roof jack size when ordering. Available in 12", 18"/32", 32"/60", or 48"/95" lengths.  
– **Must order roof jack kit for new installations.**
- **Vitraglas® Lining**—Bradford White tanks are lined with an exclusively engineered enamel formula that provides superior tank protection from the highly corrosive effects of hot water. This formula (Vitraglas®) is fused to the steel surface by firing at a temperature of over 1600°F (871°C).
- **Fully Automatic Controls**—Automatic temperature selection at your fingertips. Built-in energy cut-off switch prevents abnormally high water temperature for extra safety. Built-in gas pressure regulation.
- **Convertible Gas Control**—Easily convertible control for use with either Propane or Natural Gas.
- **2" Non-CFC Foam Insulation**—Covers the side and top, reducing the amount of heat loss. This results in less energy consumption, improved operation efficiencies, and jacket rigidity.
- **Water Connections**—3/4" NPT factory-installed true dielectric fittings extend water heater life and ease installation.
- **Heat Trap**—Installed on hot water outlet to minimize heat loss through piping.
- **Protective Magnesium Anode Rod**—Provides added protection against corrosion for long trouble-free service.
- **3"x4" "Snap Lock" Draft Diverter**—Allows either 3" or 4" vent connections with inputs of 40,000 BTU/Hr. or less.
- **Flue Baffle**—Maximizes the amount of heat absorbed by the tank and reduces heat loss during standby periods.
- **Steel Tank**—Heavy gauge steel automatically formed, rolled, and welded.
- **T&P Relief Valve**—Installed.
- **Low Restriction Brass Drain Valve**—Durable-tamper proof design.
- **Design Certified by CSA International (formerly AGA/CGA).**

**6 or 10-Year Limited Tank Warranties / 6-Year Limited Warranty on Component Parts.**

For more information on warranty, please visit [www.bradfordwhite.com](http://www.bradfordwhite.com)

For products installed in USA, Canada and Puerto Rico. Some states do not allow limitations on warranties. See complete copy of the warranty included with the heater.

# Residential Atmospheric Vent Gas Water Heater

## Manufactured Home Energy Saver Models

NATURAL GAS AND LIQUID PROPANE GAS

Meet or exceed ASHRAE 90.1b (current standard) C.E.C. Listed  
77% Recovery Efficiency

Model Number	Capacity		Nat. BTU/Hr. Input	LP BTU/Hr. Input	1st Hour Rating* (Gal.)	Energy Factor	Recovery 90°F Rise*				A Floor to Flue Conn. in.	B Jacket Dia. in.	C Vent Size in.	D Floor to T&P Conn. in.	E Floor to Gas Conn. in.	F Floor to Cold Water Conn. in.	G Floor to Hot Water Conn. in.	H Floor to Heater Top in.	K Depth in.	Approx. Shipping Weight lbs.
	U.S. Gal.	Imp. Gal.					Nat. U.S. GPH	Nat. Imp. GPH	LP U.S. GPH	LP Imp. GPH										
RG2MH30T6X	30	25	32,000	32,000	55	0.63	34	28	34	28	59 1/8	18	3x4	50 5/16	13	22 1/2	57 3/4	56 7/8	20	114
RG2MH40T6X	40	33	34,000	34,000	57	0.63	37	31	37	31	59 3/8	20	3x4	50 5/16	13	22 1/2	57 3/4	56 7/8	22	132

Model Number	Capacity		Nat. kW Input	LP kW Input	1st Hour Rating* (Liters)	Energy Factor	Recovery 50°C Rise*		A Floor to Flue Conn. mm.	B Jacket Dia. mm.	C Vent Size mm.	D Floor to T&P Conn. mm.	E Floor to Gas Conn. mm.	F Floor to Cold Water Conn. mm.	G Floor to Hot Water Conn. mm.	H Floor to Heater Top mm.	K Depth mm.	Approx. Shipping Weight kg.
	Liters						Nat. Liters/Hour	LP Liters/Hour										
RG2MH30T6X	114		9.4	9.4	208	0.63	129	129	1502	457	76x102	1278	330	572	1467	1445	508	52
RG2MH40T6X	151		10.0	10.0	216	0.63	140	140	1508	508	76x102	1278	330	572	1467	1445	559	60

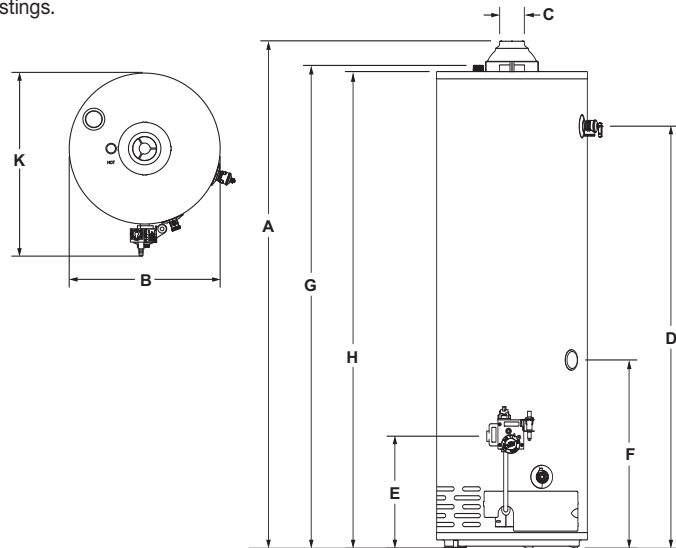
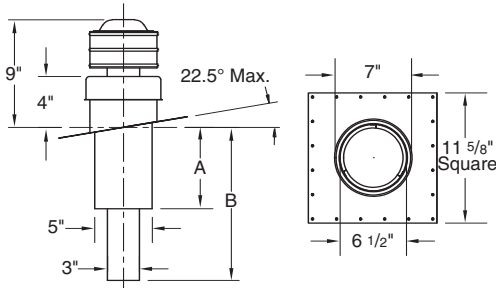
To order a natural gas heater change suffix "X" to "N". For 10 year models, change suffix from "6" to "10".

\*Based on manufacturer's rated recovery efficiency.

Energy Factor and First Hour Rating is based on the latest AHRI directory listings.

Optional Roof Jack Kits			
Part Number	A	B	Through The Roof Clearance
239-37030-01	15"	16"-33"	12"
239-37030-02	33 1/2"	33 1/2"-66"	18" / 32"
239-37030-03	32 1/2"-62 1/2"	37 1/2"-74"	32" / 60"
239-37030-04	50"-98 1/2"	54 1/2"-109 1/2"	48" / 90"

(Includes roof jack, hardware, instructions)



The water heater enclosure access door must be on the outside wall of the manufactured home (mobile home) only. Access to the water heater enclosure from the inside of the manufactured home (mobile home) is not permitted. The CSA International (formerly AGA/CGA) listing of this water heater includes the field installation of the following components: roof jack and heater tie down materials. These components for field installation are shipped in a separate box from the heater and must be installed according to instructions. No other components are approved for use with the water heater. The water heater must be installed in accordance with The Federal Manufactured Home Construction and Safety Standard Title 24 CRF, Part 3280.

### General:

All gas water heaters are certified at 300 PSI (2068 kPa) test pressure and 150 PSI (1034 kPa) working pressure.

All water connections are 3/4" NPT (19mm). All gas connections are 1/2" (13mm).

All models design-certified by CSA International (formerly AGA/CGA), ANSI Z-21.10.1 and peak performance rated.

Designed in accordance with the H.U.D. Manufactured Home Construction and Safety Standard, Title 24 CFR, Part 3280.707 (d)(2) for energy efficiency.

**Dimensions and specifications subject to change without notice in accordance with our policy of continuous product improvement.**

### Suitable for Water (Potable) Heating and Space Heating.

Toxic chemicals, such as those used for boiler treatment, shall NEVER be introduced into this system. This unit may NEVER be connected to any existing heating system or component(s) previously used with a non-potable water heating appliance.



Ambler, PA

For U.S. and Canada field service, contact your professional installer or local Bradford White sales representative.

Sales 800-523-2931 • Fax 215-641-1670 / Technical Support 800-334-3393 • Fax 269-795-1089 • Warranty 800-531-2111 • Fax 269-795-1089

International: Telephone 215-641-9400 • Telefax 215-641-9750 / www.bradfordwhite.com

**BRADFORD WHITE-CANADA** INC. Sales / Technical Support 866-690-0961 / 905-238-0100 • Fax 905-238-0105 / www.bradfordwhite.com

**Built to be the Best™**

©2015, Bradford White Corporation. All rights reserved.