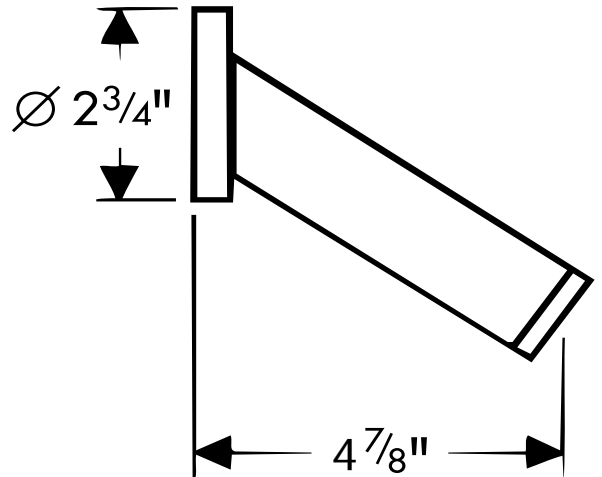
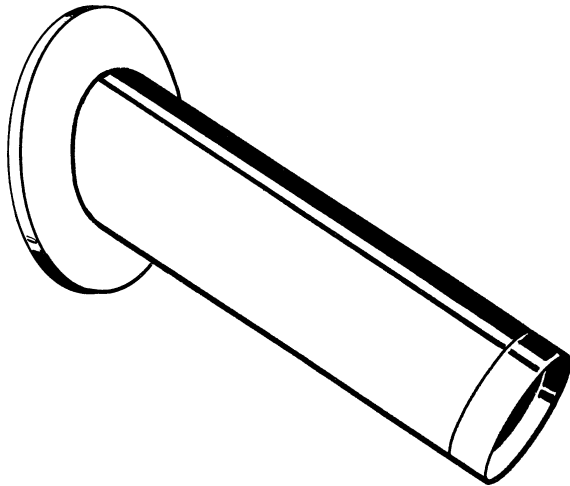
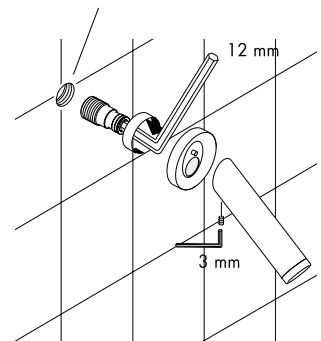


Philippe Starck Tub Spout 10410XX1

Available in chrome (00) and satinox (81)



Female pipe fitting
recessed $\frac{3}{8}"$ behind surface
finished wall



Product Specification

Requires $\frac{3}{4}"$ female threaded pipe fitting recessed $\frac{3}{8}"$ behind surface of finished wall

Know and follow all applicable local codes regarding the required air gap between the end of the spout and the flood level of the tub.

AXOR[®]